



Protected network installs.

RMC Series: Standing & wall-mount data cabinets in 4RU, 6RU, 12RU & 18RU.

The RMC series is comprised of standing & wall-mounted data cabinets in a large variety of sizes. Deliver a truly complete installation by storing your system's recorders & switches in this sturdy, lockable 19" rack mount cabinet.

- 19" rack mount cabinets in 4RU, 6RU, 12RU & 18RU
- Available in free standing & wall-mount styles
- Available in 450mm & 600mm rack depth styles
- Lockable door with 5mm thick tempered glass window
- Removable side panels for easy cable management
- Fan slots for proper heat & dust circulation
- Full metal, vandal-resistant full metal casing
- Shelves available for all models (*sold separately*)



Available from 4 to 18 Rack Units



Protection for NVRs, Switches, etc.



Highly secure & lockable case

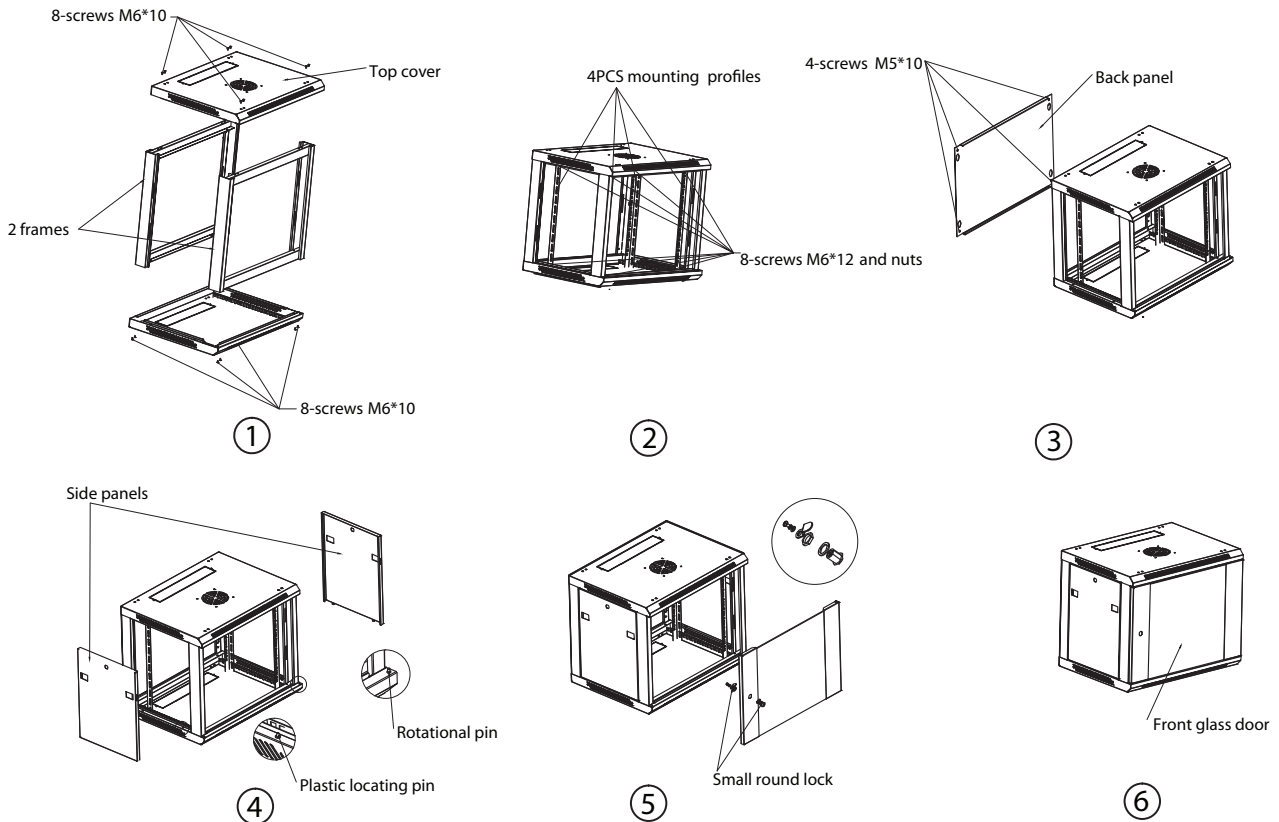
Rack-Mount Data Cabinets | RMC-W Series Specifications

Model	RMC-B4U450W	RMC-B6U450W	RMC-B12U450W	RMC-B18U450W	RMC-B6U600W	RMC-B12U600W	RMC-B12U600F
Series Name	RMC-W Series 19" Rack Mount Data Cabinets						
Rack Units (RU)	4RU	6RU	12RU	18RU	6RU	12RU	12RU
Cabinet Depth	450mm	450mm	450mm	450mm	600mm	600mm	600mm
Fixed Shelves				0			1
Fan Slots	1	1	1	1	2	2	2 (Built-in Fans)
Lockable				Yes			
Power Board				No			
Wheels				No			Yes
Load Capacity				100kg			800kg
Mounting Options				Wall Mount			Free Standing
Material				SPCC Steel			

Data Cabinets Shelves | RMC-W Series Accessories

Model	RMC-BS450W	RMC-BS600W	RMC-BS600F
Product Image			
Cabinet Type	Wall Mount	Wall Mount	Free Standing
Cabinet Depth	450mm	600mm	600mm

Data Cabinet Assembly



Your local VIP Vision™ IP solutions professional: