

# Right Angle Wall Mount Camera Bracket

Model: VSBKTB203W

Powder coated aluminium right angle wall mount bracket for surveillance cameras.

|                              |                            |
|------------------------------|----------------------------|
| <b>Model</b>                 | <b>VSBKTB203W</b>          |
| <b>Materials</b>             | Aluminium                  |
| <b>Dimensions</b>            | 160 x 122 x 76mm           |
| <b>Pipe Thread</b>           | N/A                        |
| <b>Operating Conditions</b>  | -40° ~ 60°C / 90% RH (max) |
| <b>Load Bearing Capacity</b> | 1.00kg                     |
| <b>Weather Resistance</b>    | Yes                        |
| <b>Weight</b>                | 0.57kg                     |



## Bracket Compatibility

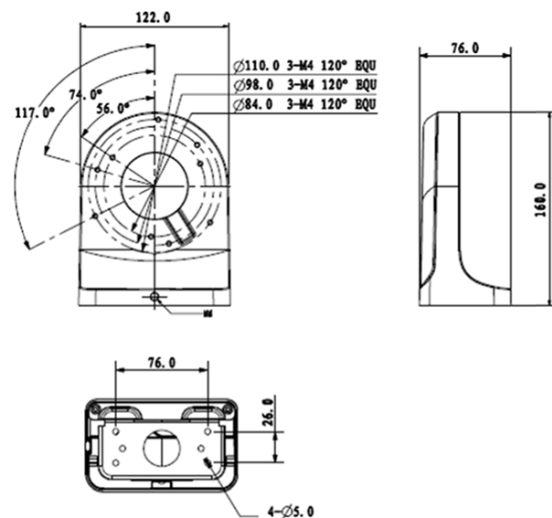
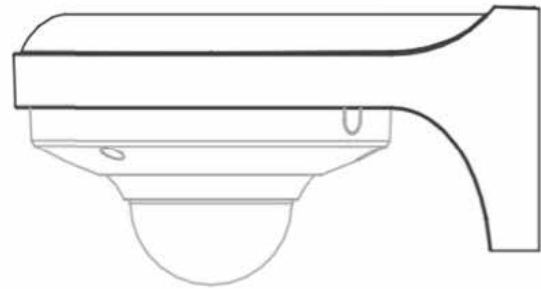
This bracket is compatible with the following cameras from VIP Vision and/or Securview Victory Series.



VSIP4MPFE,  
VSIP3MPVDIRM2.8-12,  
VSIP4MPVDMINIIR



VSCVI1MPDIRV3,  
VSCVI2MPVDIRMV2,  
VSCVI2MPVDIRV2,



Additional camera brackets, adapters, junction boxes or connectors may be required for camera compatibility. Please see full bracket compatibility reference for more detail.