

# Adapter for Ceiling & Wall Mount Brackets

Model: VSBKTA106

## Technical Specifications

Powder coated aluminium camera-bracket connector for use with VSBKTB220C and VSBKTB305W. Compatible with most small domes from VIP Vision & Securview; bracket lip provides some rain shielding.

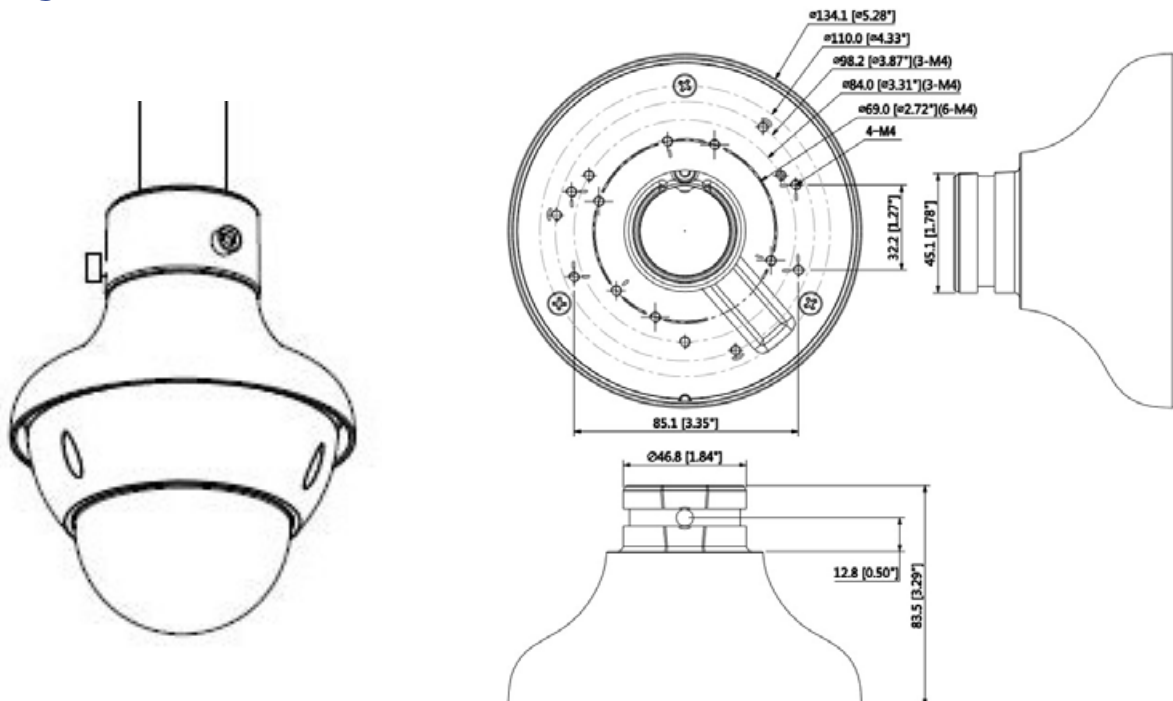
For use with the VSBKTB305W and VSBKTB220C.

Model	VSBKTA106
Materials	Aluminium
Dimensions	Ø134.1 x 83.5mm
Pipe Thread	N/A
Operating Conditions	-40° ~ 60°C / 90% RH (max)
Load Bearing Capacity	1kg
Weather Resistance	N/A
Weight	1.0kg



Product specifications and bracket compatibility are subject to change.

## Product Diagrams



Your professional CCTV surveillance dealer: [www.activeonline.com.au](http://www.activeonline.com.au) 1300 816 742