

ENSA™

ENSA-LEDBT36WS

IP65 MOTION ACTIVATED LED BATTEN LIGHT



INSTRUCTION MANUAL

www.ensalife.com



Thanks for choosing the ENSA-LEDBT36WS LED batten light.

This product is an automated energy saving batten light. It is based around a 5.8Ghz microwave motion sensor, light sensor and control electronics. The light will turn on when movement is detected inside the detection field and will stay on until a preset time has elapsed. The light will only turn on the sensor when the measured LUX level is below a set threshold. As this light detects movement using a microwave based sensor, it has a wide detection range and unlike PIR sensors it may detect occupants through doors, glass windows or thin walls.



SPECIFICATIONS:

AC Input: 220-240V/AC

Power Frequency: 50Hz

Ambient Light: <3-2000LUX (adjustable)

Time Delay: Min. 10sec±3sec

Max. 12min±1min

Rated Load: 18W (280PCS LED,1350LM)

Additional switching capacity: 300W

Detection Range: 360°

Detection Distance: 1-8m (radius) adjustable

HF System: 5.8GHz CW radar, ISM band

Transmission Power: <0.2mW

Installation Height: 2-4m

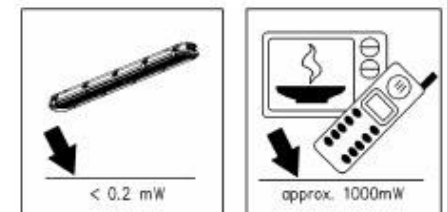
Power Consumption: approx 0.9W

Detection Motion Speed: 0.6-1.5m/s

FEATURES:

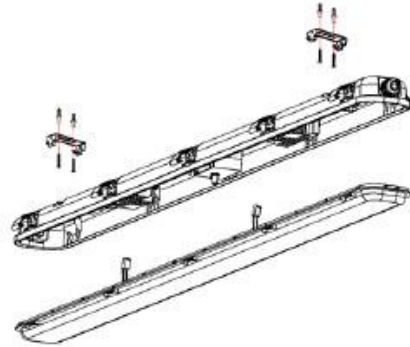
- Built in light sensor which can be set to detect between 3 lux ("moon" position) and 2000 lux ("sun" position).
- Adjustable microwave sensitivity can be set to detect movement in a 2m to 16m radius.
- Time delay before light switch off is adjustable between five seconds and ten minutes
- Time delay before switch off is automatically reset when the sensor detects movement, even if the light is still on. This means that intermittent movement will keep the light on.

Radio Frequency Emission: The RF output of the microwave sensor inside this product is less than 0.2mW - this equates to 1/5000th of the transmission power of a mobile phone or leakage output of a microwave oven.

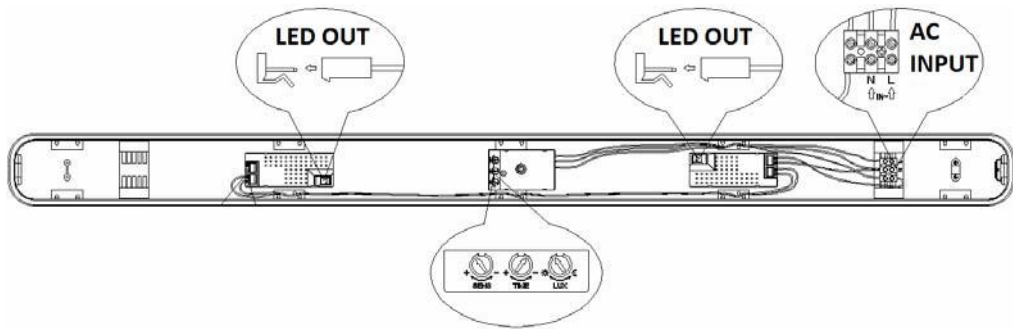


INSTALLATION:

- Open the gray plastic clips on both sides of the product, then take off the plastic lamp cover and pull out the "LED OUT" panel power plugs.
- Install the two supplied metal mounting clips on the ceiling or wall where you wish to mount the light.
- Put the wire through the waterproof plug on the right side, and connect the wire with terminal according to connection-wire diagram.
- Push the light onto the metal clips until they attach.
- Feed the AC input wire through the waterproof gland on the side of the light, then connect it to the light using the terminal block.
- Install the LED cover ensuring that you reconnect the two lamp panel power plugs.

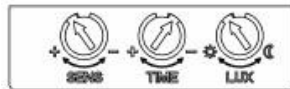


CONNECTION DIAGRAM:



TESTING THE INSTALLATION:

- Set the SENS selector to the maximum position, set the Time selector to the minimum position, and set the LUX selector to the maximum "sun" position.
- When power is connected, the light will turn on before the sensor times out and switches off. Once off, the light will switch back on when the sensor detects movement. If the sensor detects movement while the light is on, the on timer will be reset and the light will stay on.
- Turn LUX selector anti-clockwise to the minimum position (3). If the ambient light is less than 3 LUX, the light is still able to activate when it senses movement.



Please note that when testing in daylight, turn LUX selector to ☀ (SUN) position, otherwise the sensor lamp will not turn on the light.

INSTALLATION NOTES:

- Only for installation by a qualified electrician.
- Only install the product on a static, stable object.
- Objects placed in front of the sensor may affect the sensing range.
- Avoid installation near metal or glass surfaces as this will affect reception range.
- For your safety, never operate the light fitting with the plastic case open.

TROUBLESHOOTING:

- The light does not turn on:
 - Check the input power to the light. Ensure that supplied voltage is between 220-240VAC.
 - Ensure that the "LED OUT" wires have been reconnected after mounting the light.
 - Try increasing the "LUX" setting to reject any ambient light.
- The motion detection sensitivity is poor:
 - Ensure that there are no objects between the sensor and the location to be sensed, as this could reduce the range/
 - Ensure that there are no other devices using the 508Ghz band in close proximity to the detector (e.g. Wireless LAN, CCTV transmission equipment, etc).
 - Ensure that the installation height is 2-m.
- The sensor does not turn off the light:
 - Ensure that there are no moving objects (human or otherwise) in the area.
 - Try reducing the "TIME" setting on the detector.
 - Ensure that there are no other devices using the 508Ghz band in close proximity to the detector (e.g. Wireless LAN, CCTV transmission equipment, etc).