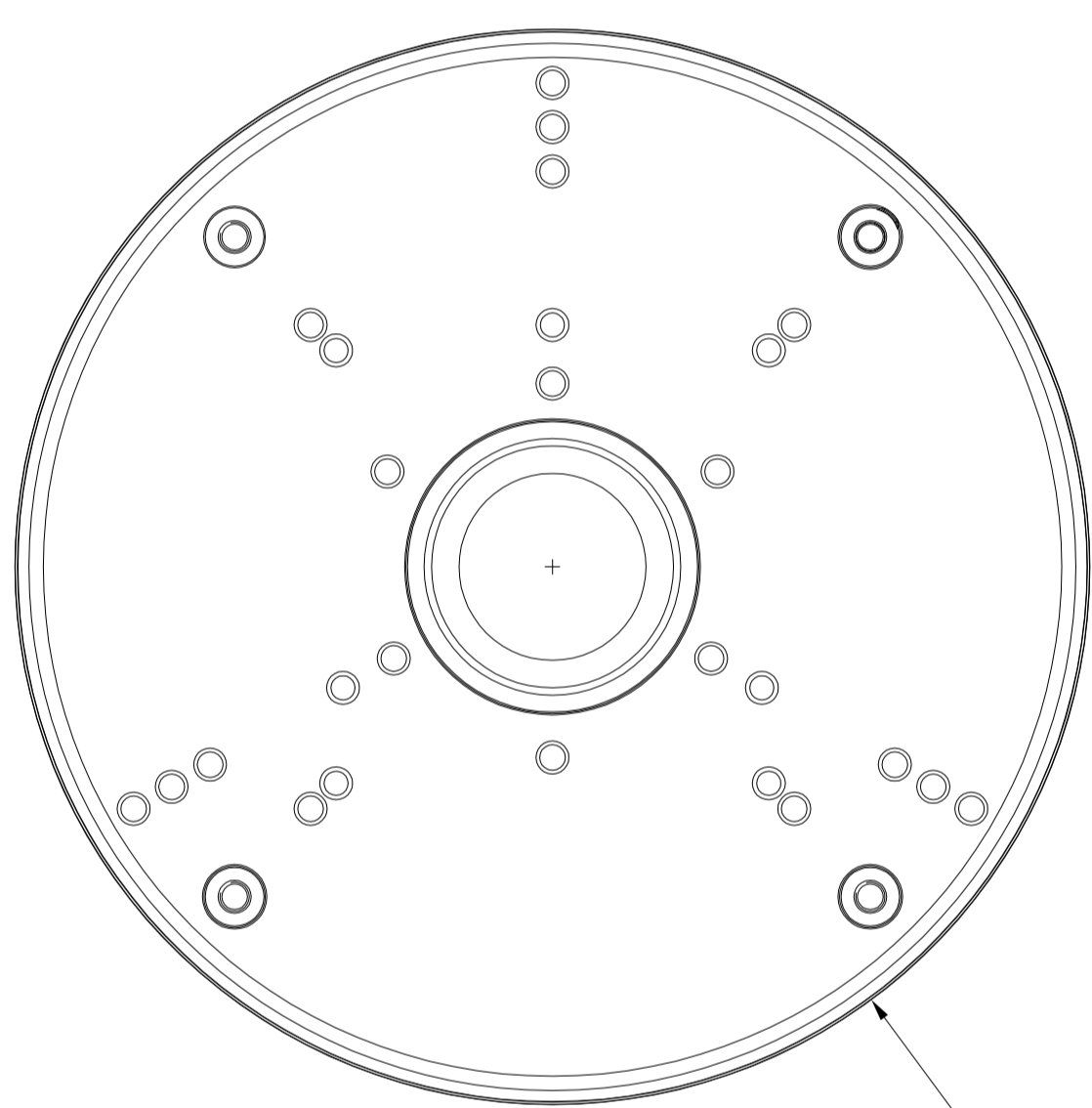
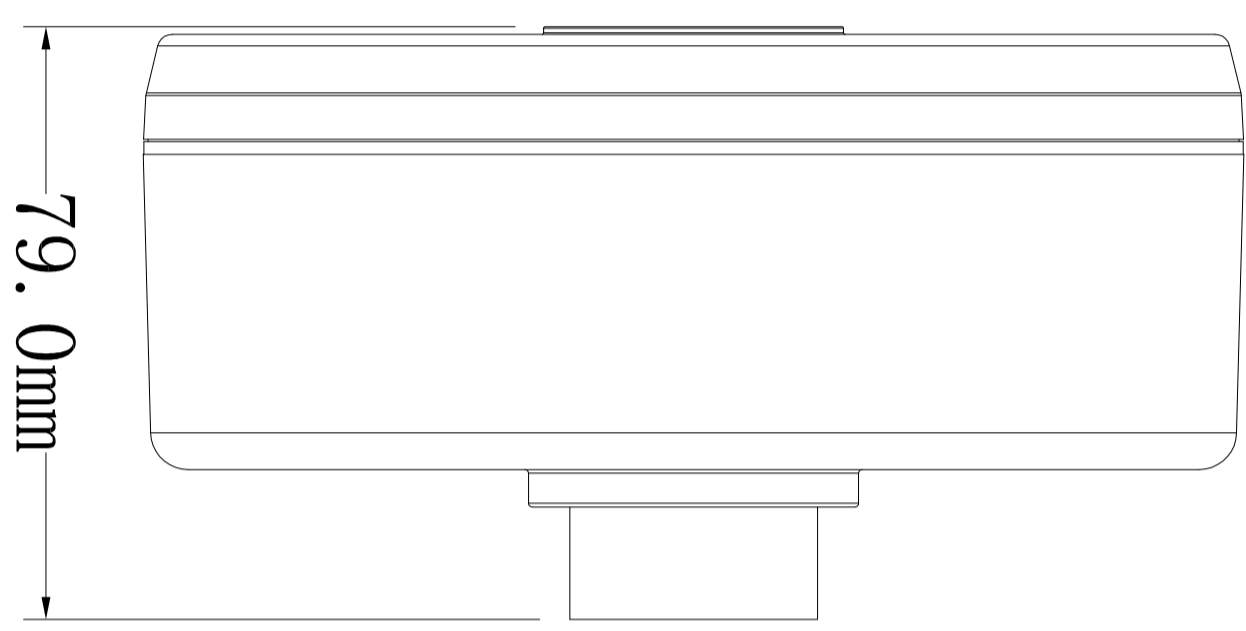


Pipe Thread G1 (G1=33.2mm)



Ø134.3mm

