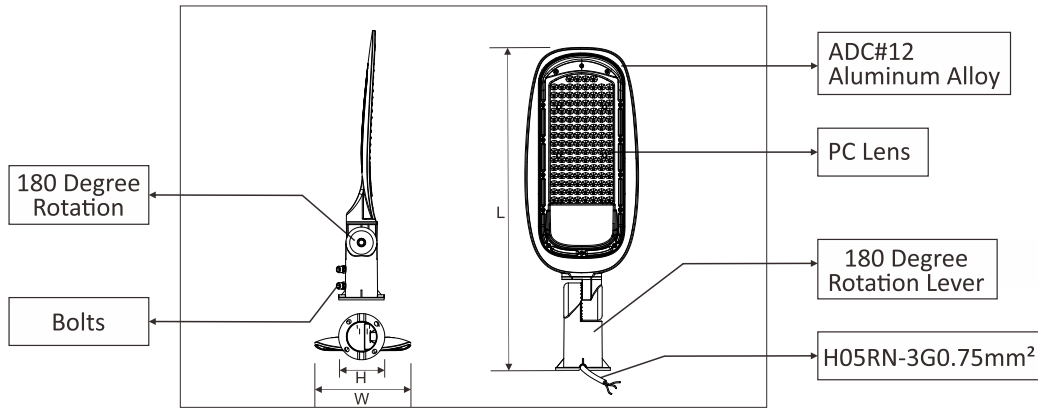


Outdoor LED STREET light

Diagram:



Specification:

Voltage	AC 185-265V 50/60Hz		
Power factor	>0.9		
Wattage	100W	150W	200W
Lumen	11000lm	16500lm	22000lm
Lamp type	Bridgelux Chip		
CRI	>80		
Material	ADC#12 Aluminum Alloy		
Beam angle	90x130°		
Products siz	572.3x201.7x97mm	645.2x246x97mm	707.2x282.9x97mm
Color Temp	6000K		
Work Temp	-20°C — +50°C		
Protection	IP65		
Housing color	Gray		

Important Safety Information

- Do not wire this lantern into the lighting circuit - use a switched fuse spur.
- Before installation and servicing, disconnect the electrical supply at the mains.
- Carefully observe all instructions or warnings that are labelled on, or supplied with, your product.
- This product is suitable for outdoor use. If in any doubt, consult a qualified electrician.

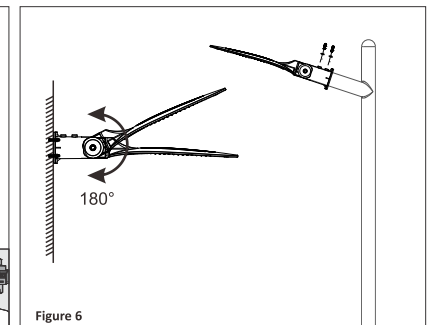
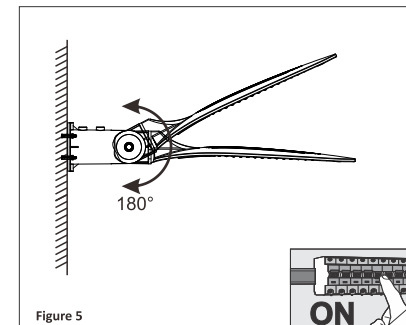
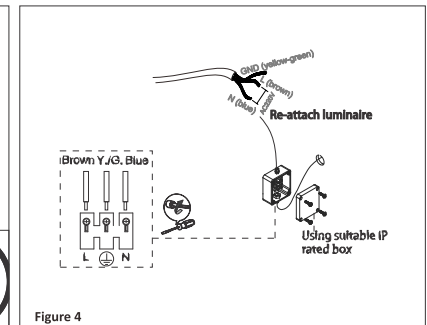
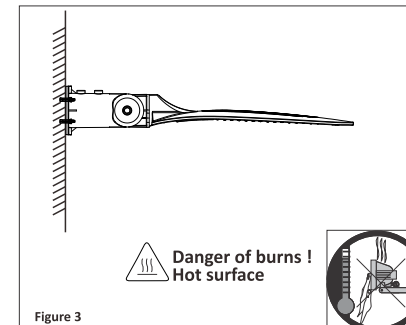
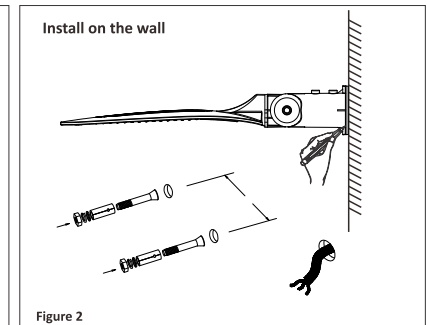
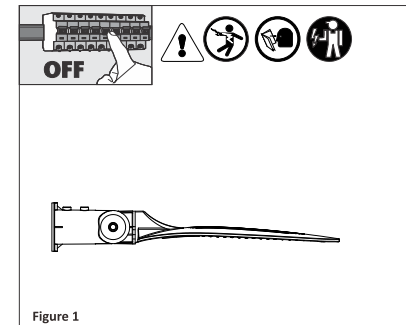
Fixing instructions

- Do not wire this lantern into the lighting circuit - use a switched fuse spur.
- This fitting must be earthed. contact a qualified electrician to install a suitable earth facility.
- Ensure the electricity is turned off at the mains before installing or maintaining any electrical fitting.
- Please note: For new installations, check for any electrical cables or pipe work (gas/water) in the vicinity of the intended mounting point for this product, before proceeding with the installation.

IMPORTANT WARNING:

Please read the instructions carefully before installation and preserve it well. Recommend the lamp must be installed and assembled by qualified electrician. Before installation, please cut off the main power. Turn off the circuit. Do not turn the lamp on before the end of installation. Please use proper wire for connection. The length of output leads should be typically 0.5m-2m in order to keep radio interference minimum.

Installation:



Note:



This product should be disposed of responsibly at the end of its life. Please recycle where facilities exist. Check with your Local Authority or retailer for recycling advice. (Waste Electrical and Electronic Equipment Directive)