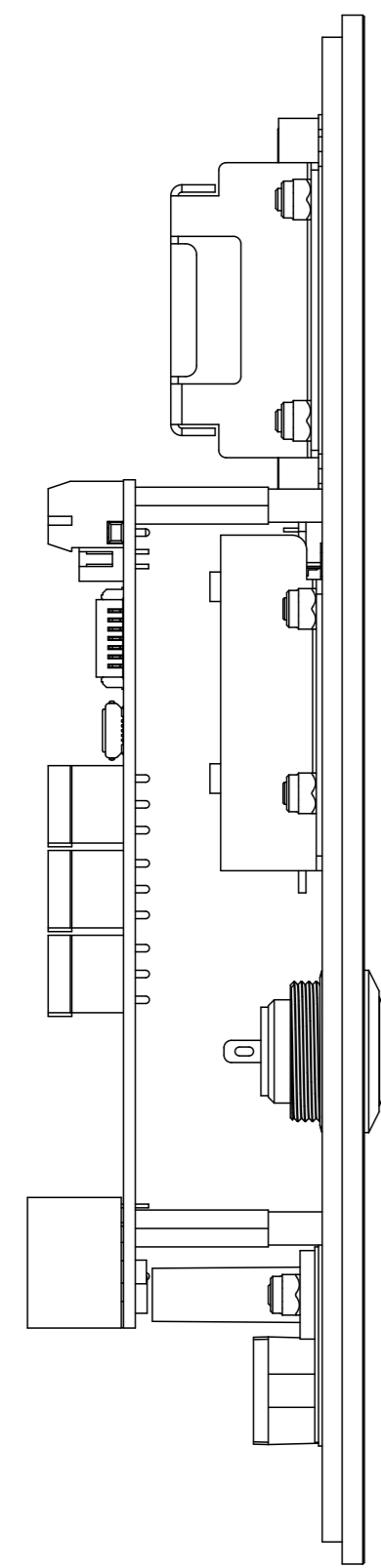
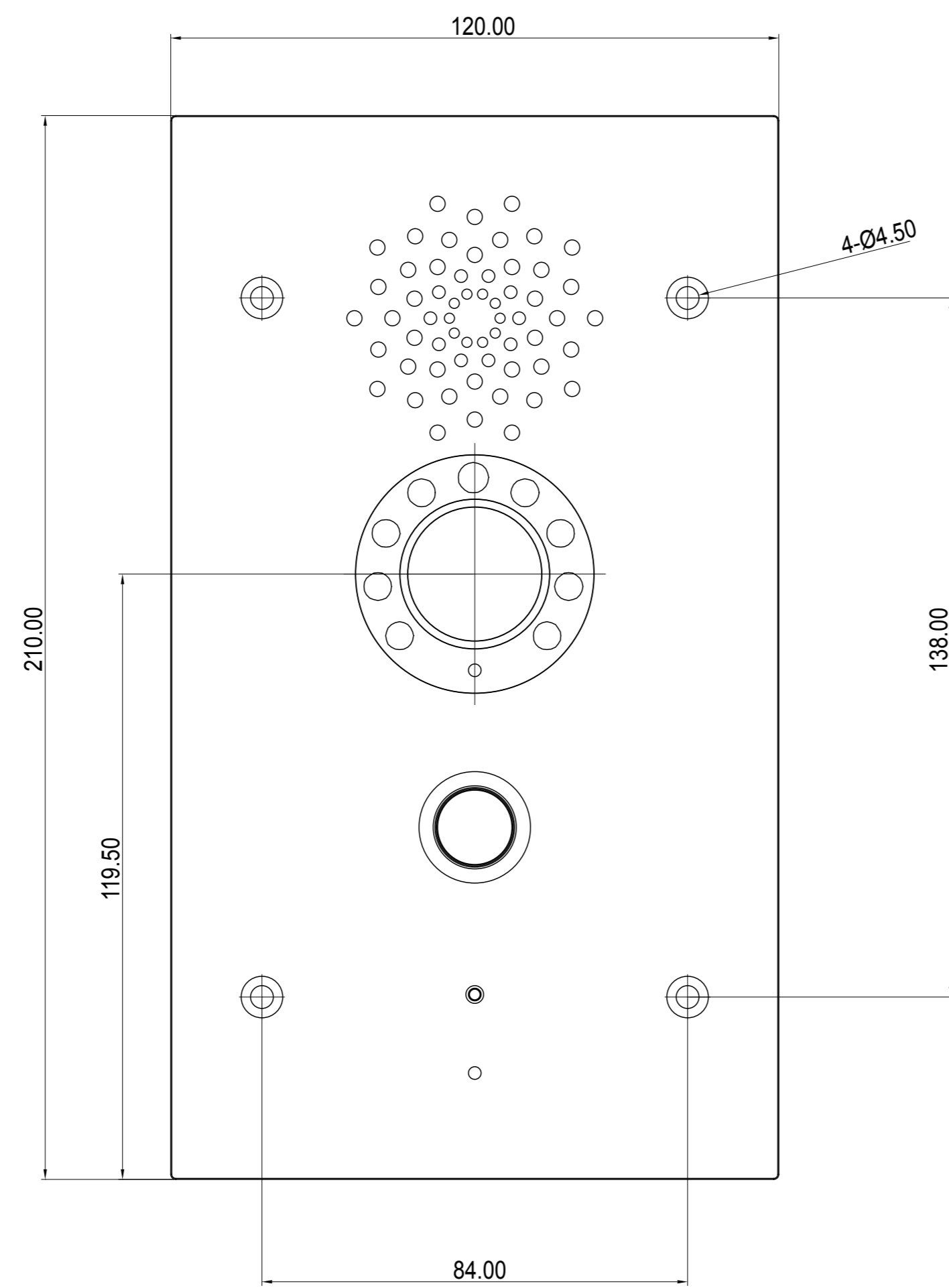


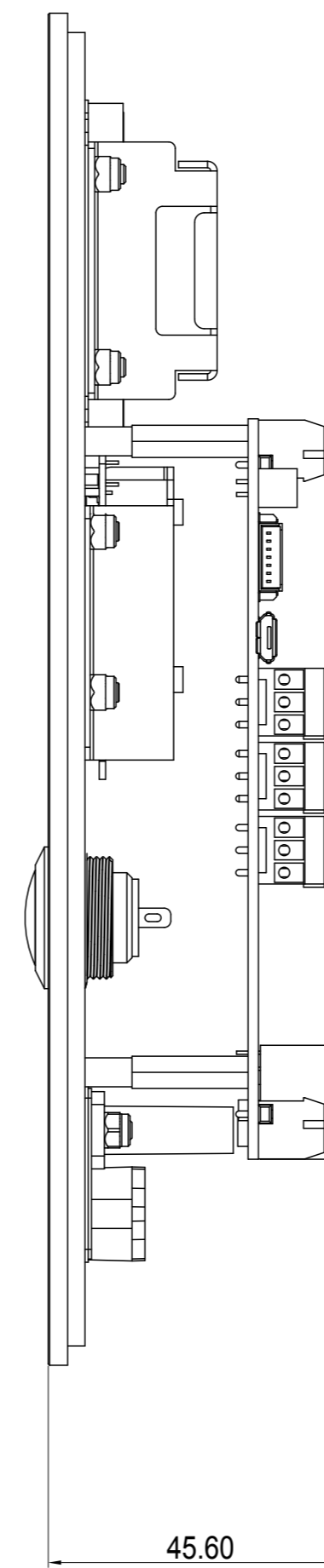
5 TOP VIEW



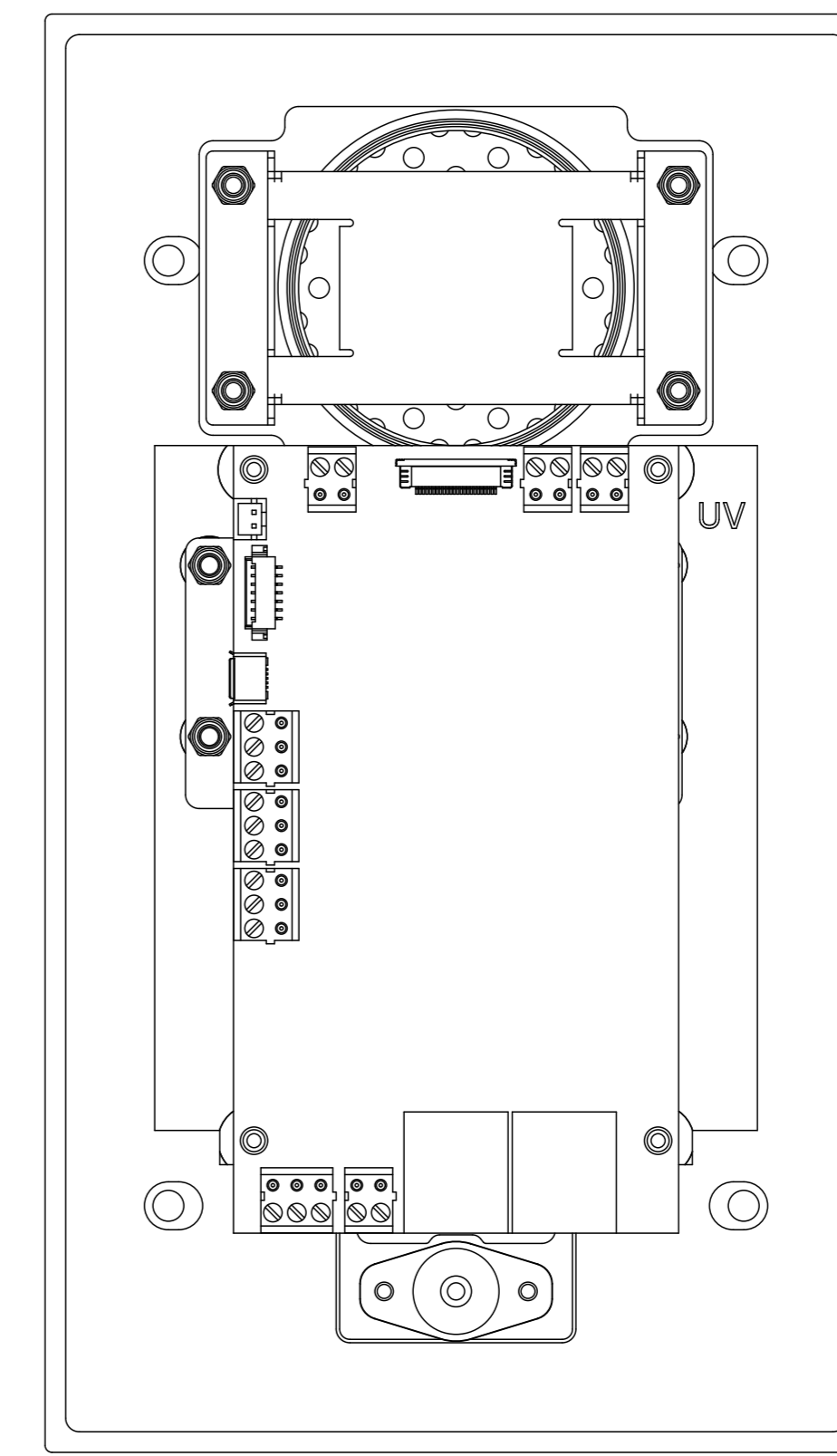
2 RIGHT VIEW



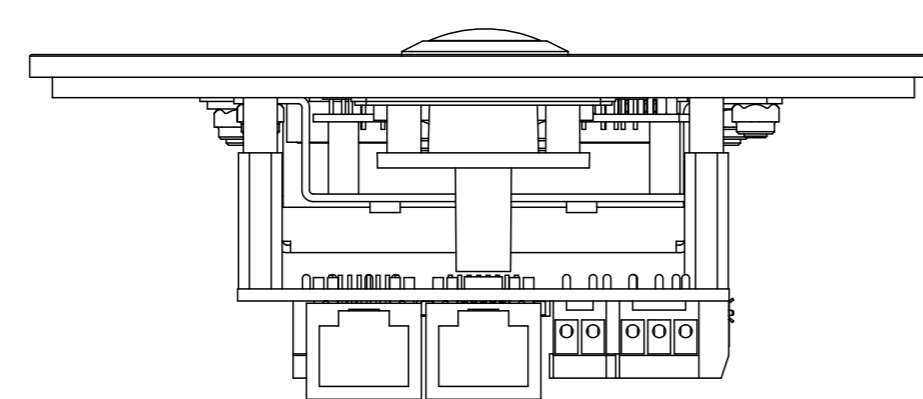
1 FRONT VIEW



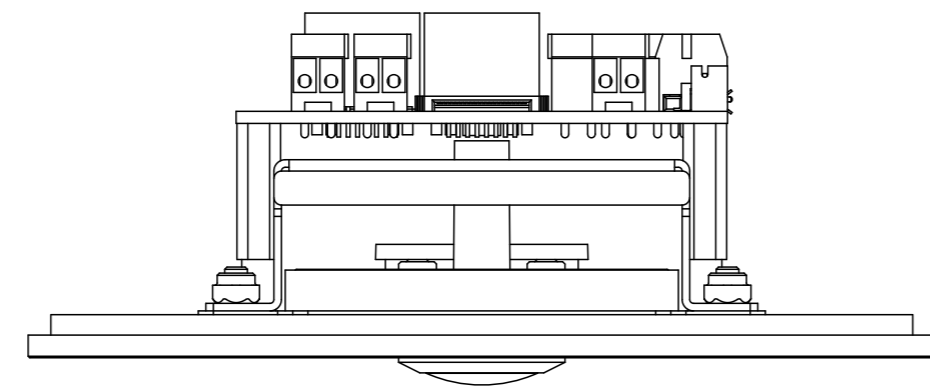
3 LEFT VIEW



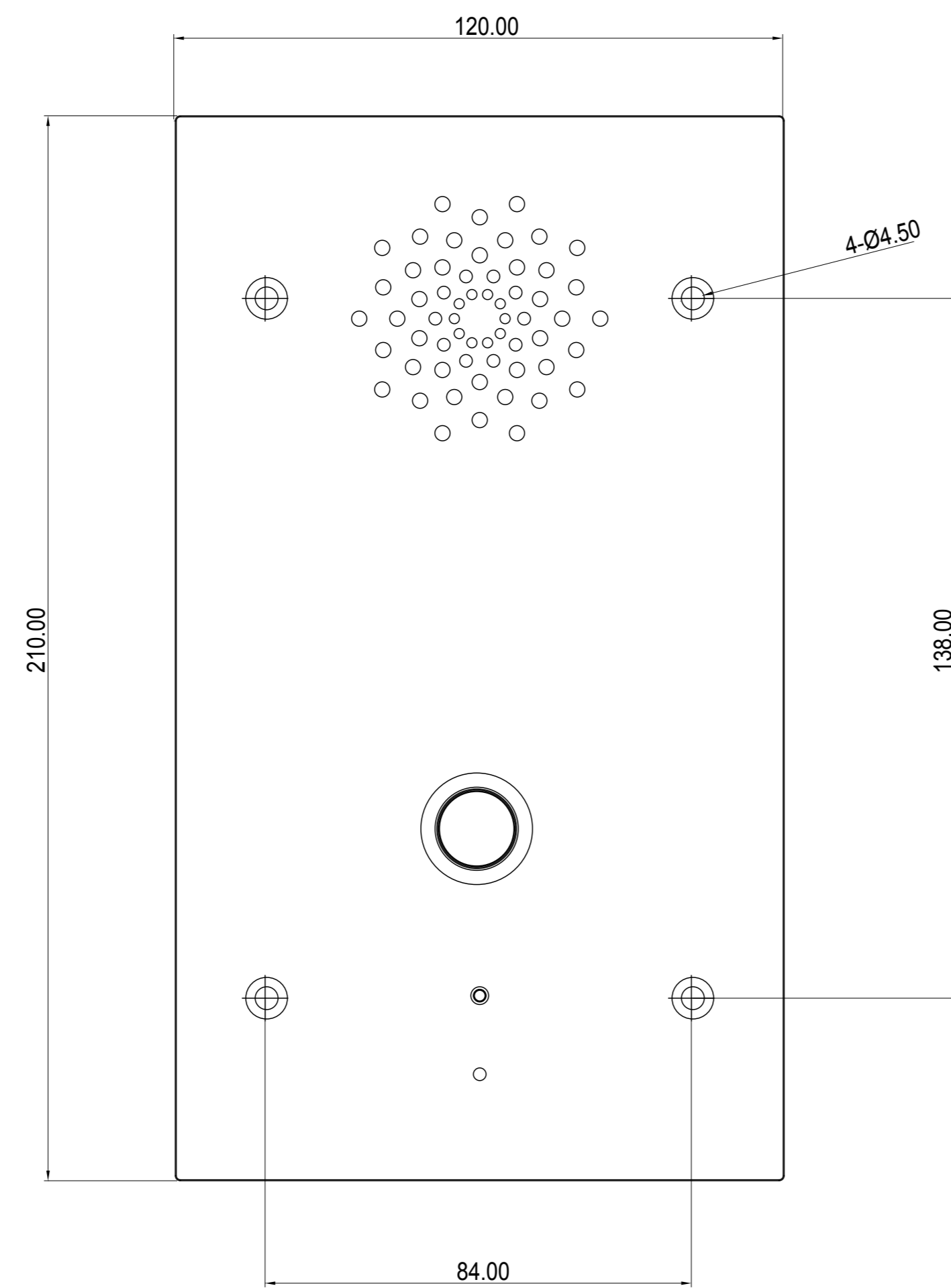
4 BACK VIEW



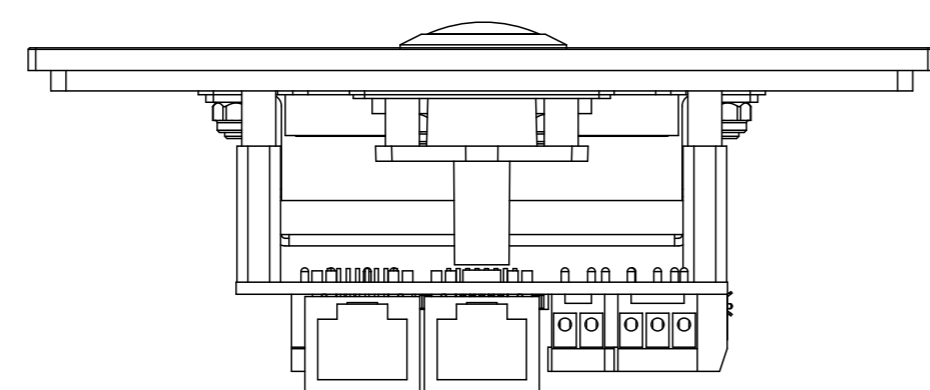
6 BOTTOM VIEW



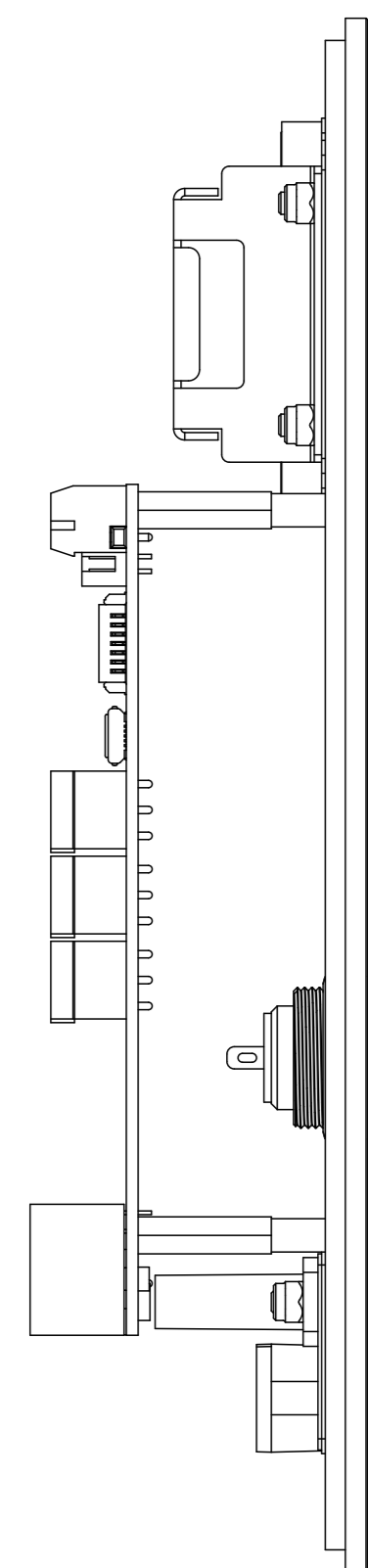
5 TOP VIEW



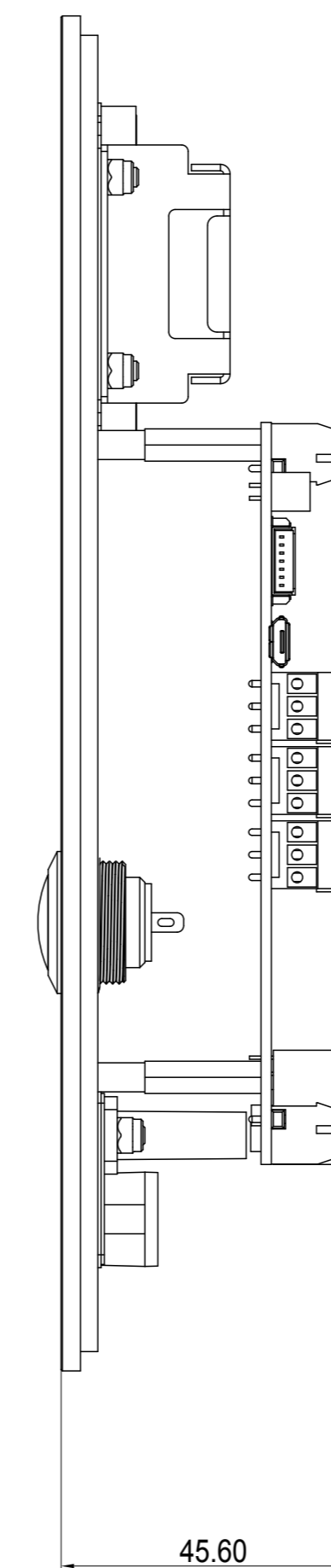
1 FRONT VIEW



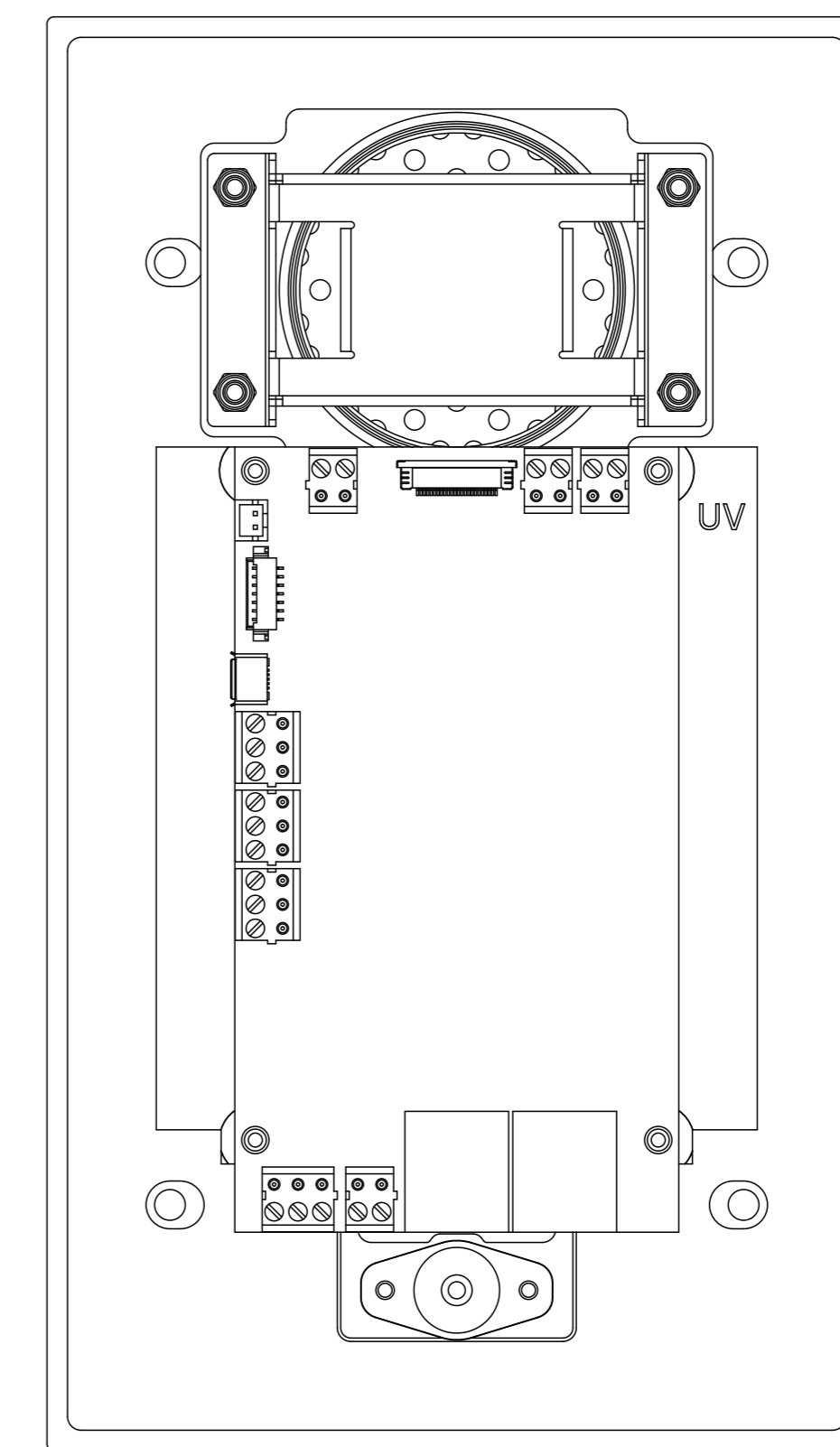
6 BOTTOM VIEW



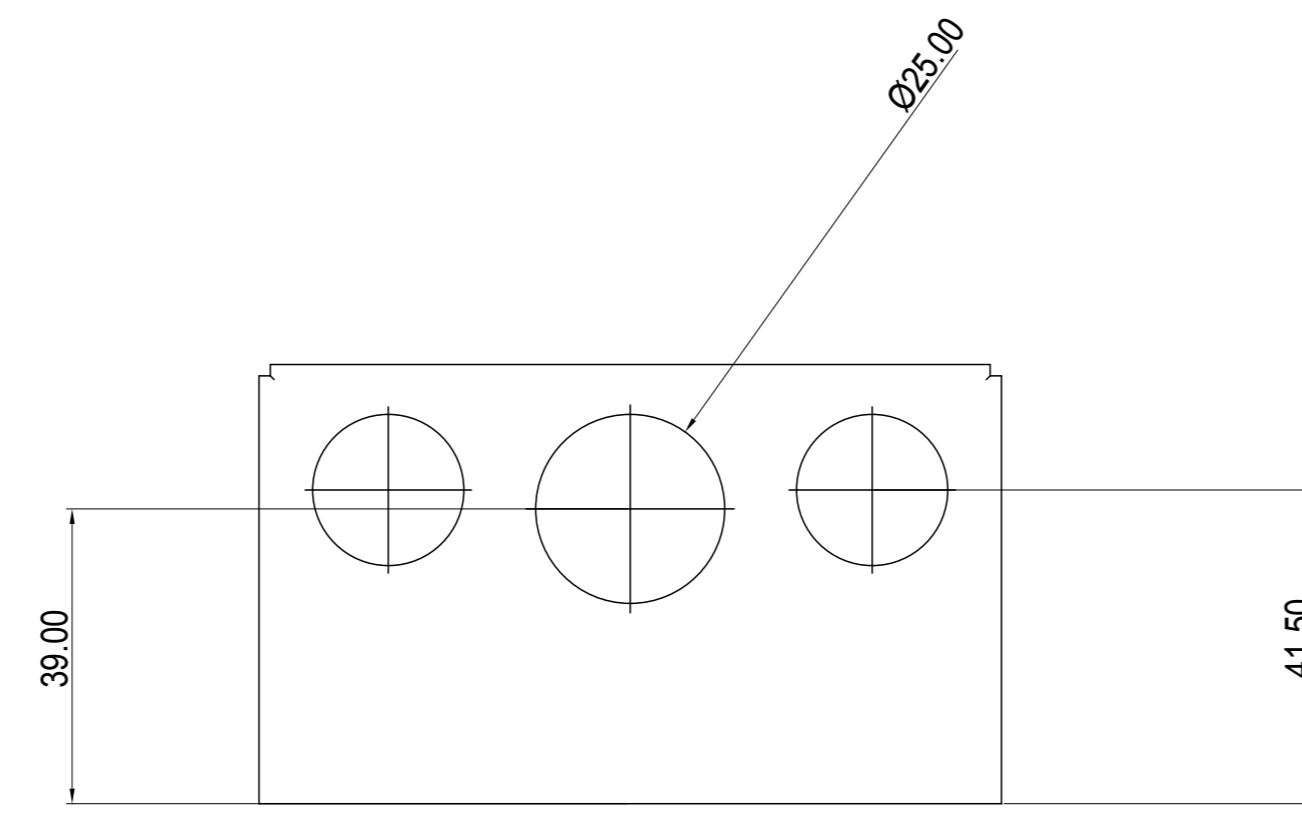
2 RIGHT VIEW



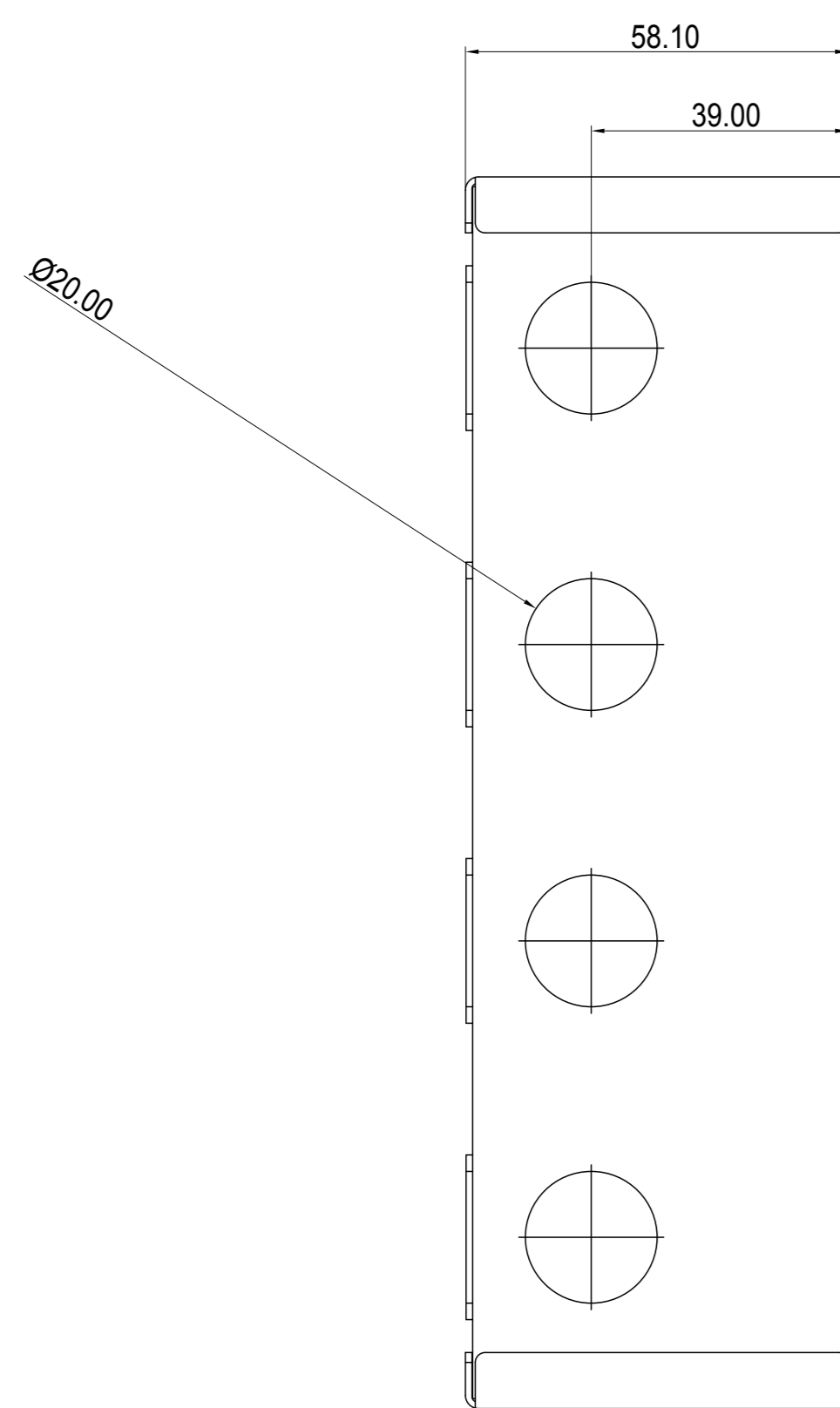
3 LEFT VIEW



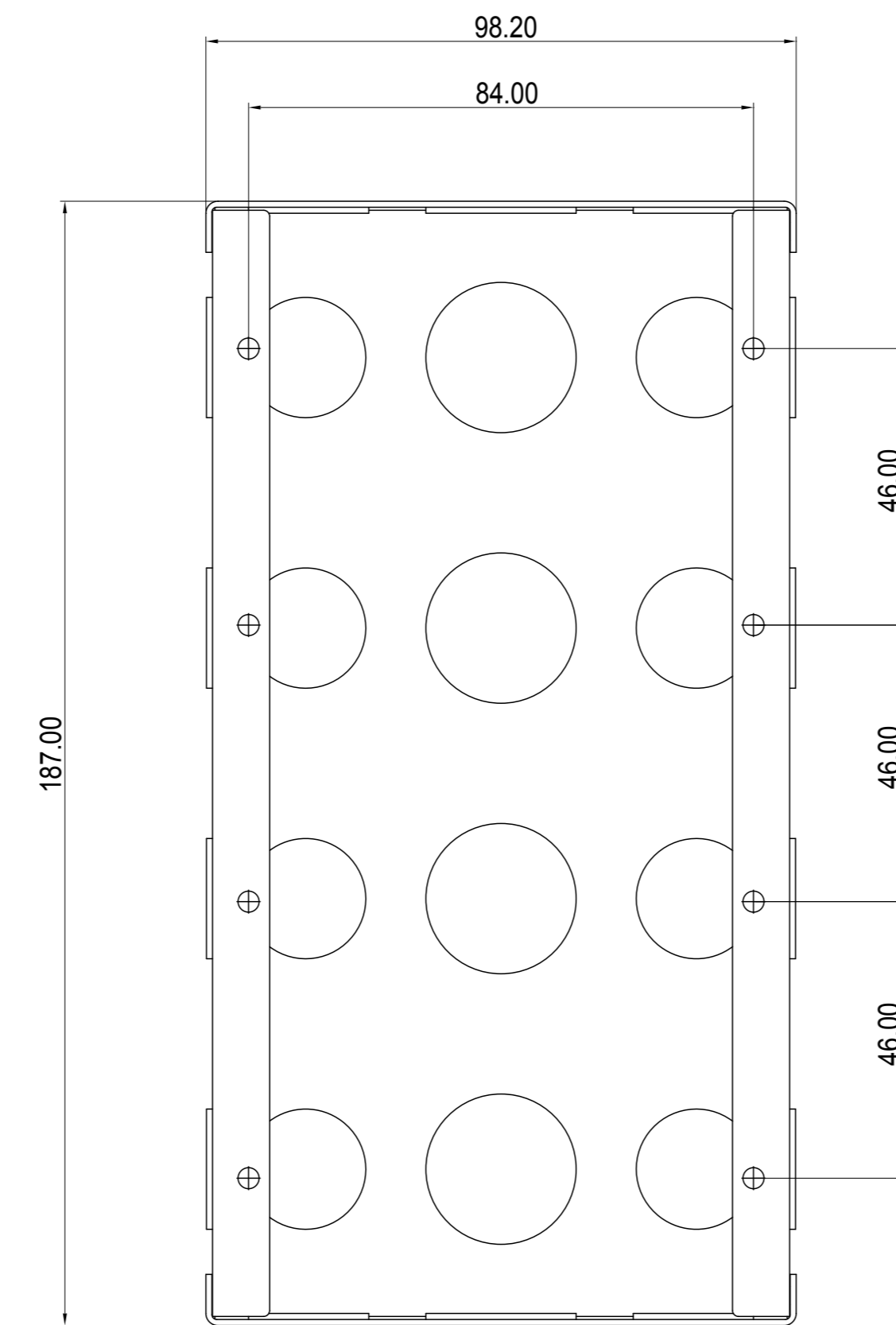
4 BACK VIEW



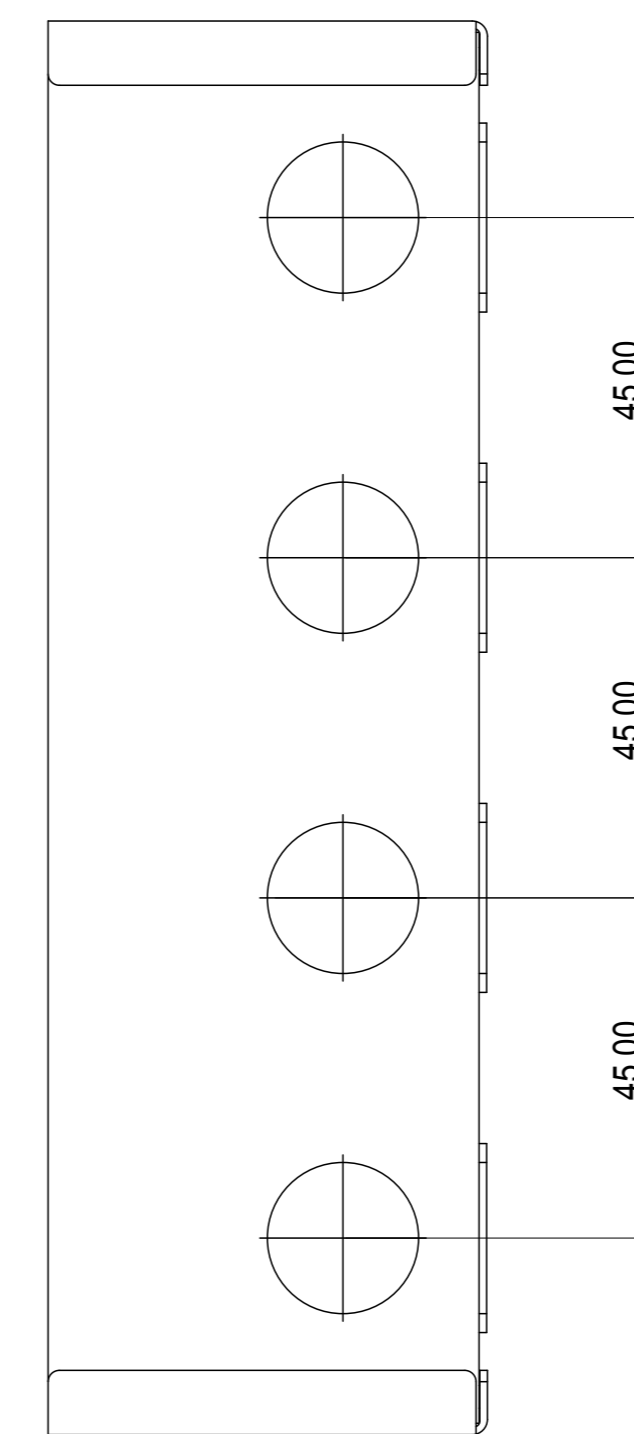
5 TOP VIEW



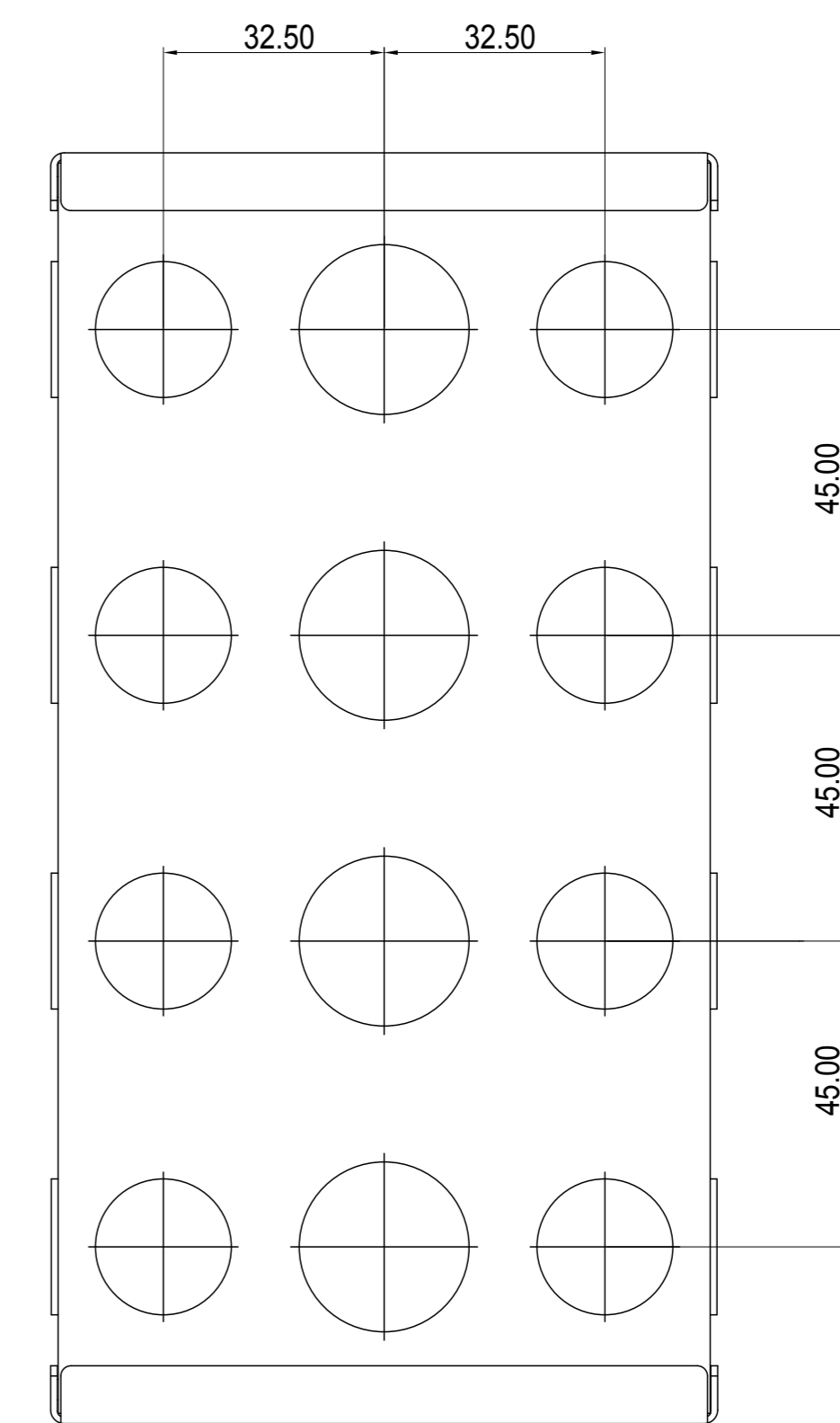
2 RIGHT VIEW



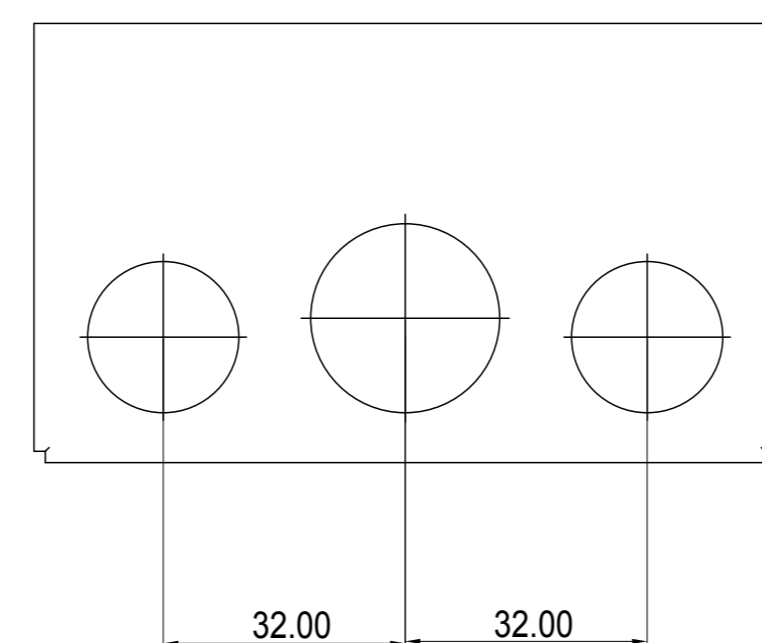
1 FRONT VIEW



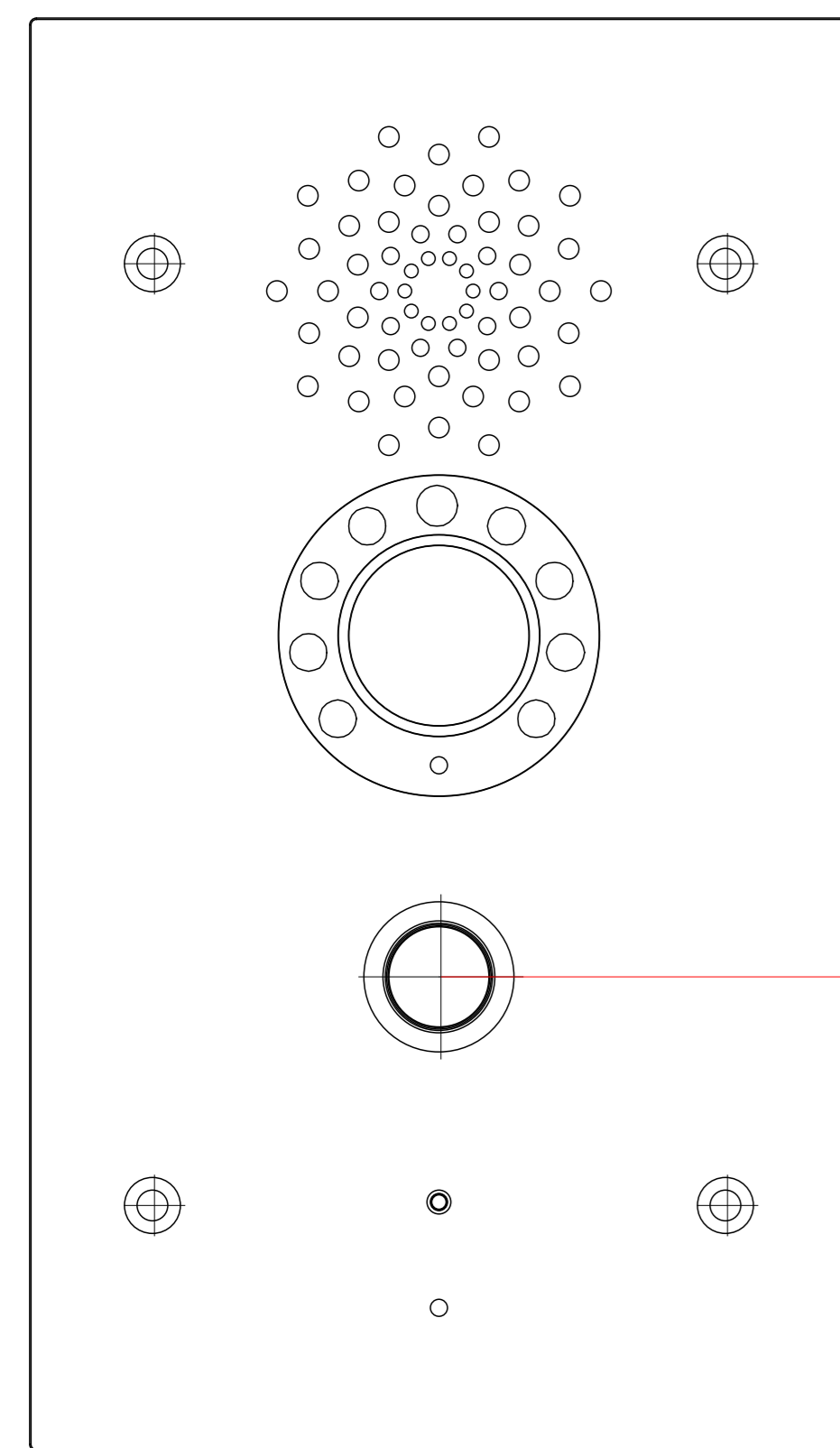
3 LEFT VIEW



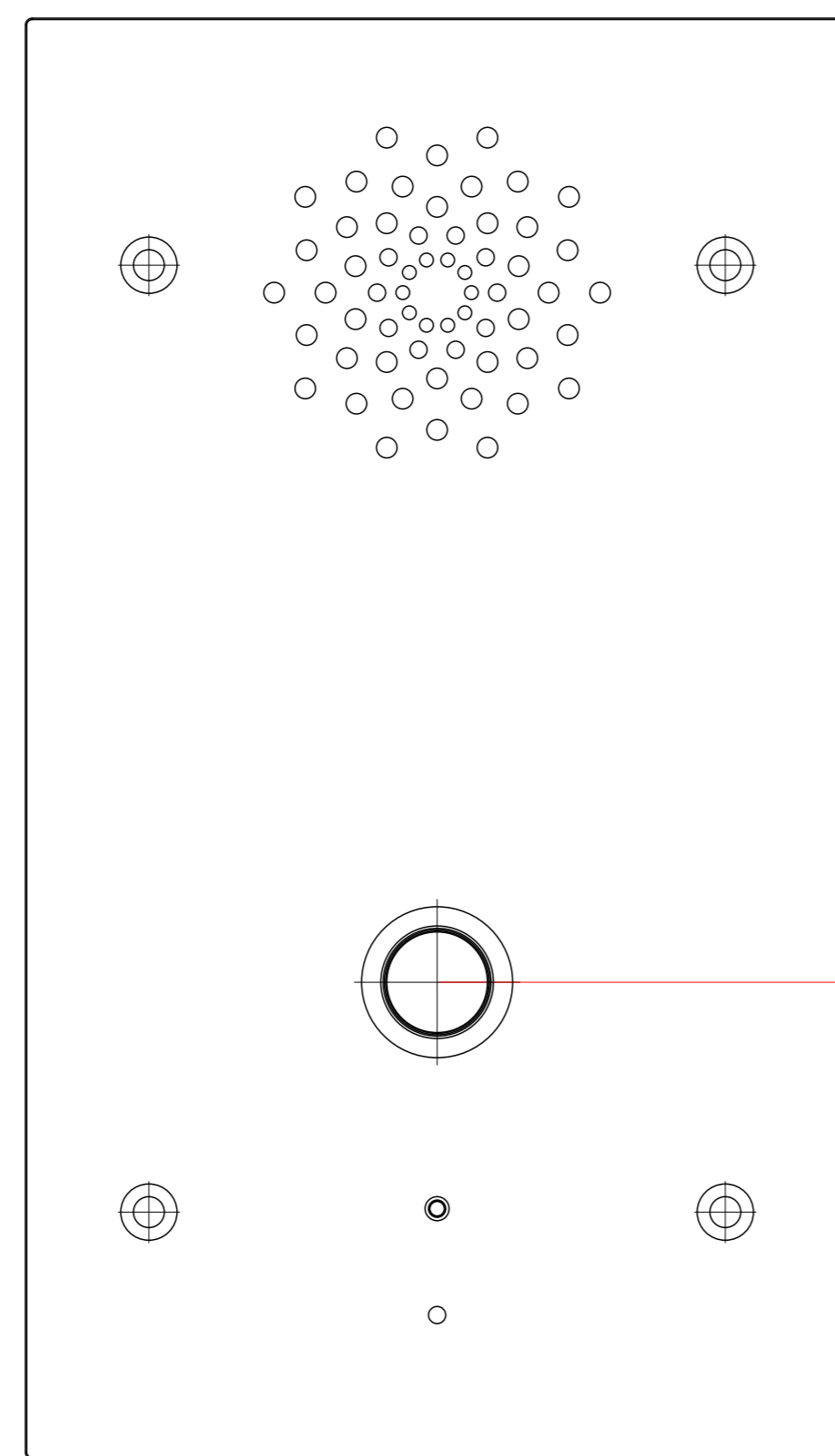
4 BACK VIEW



6 BOTTOM VIEW



1 E21V INTERCOM PANEL FRONT VIEW



2 E21A INTERCOM PANEL FRONT VIEW

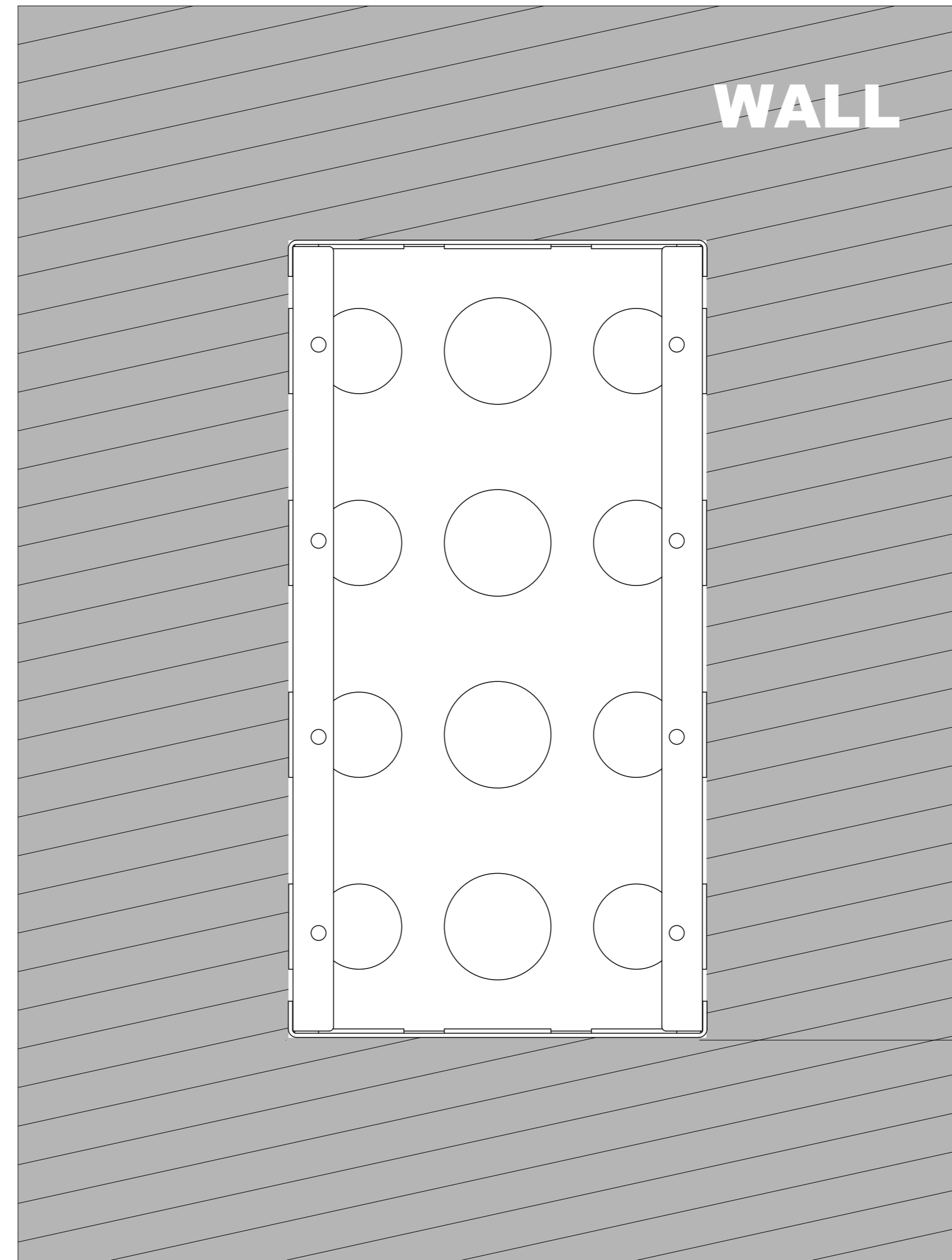
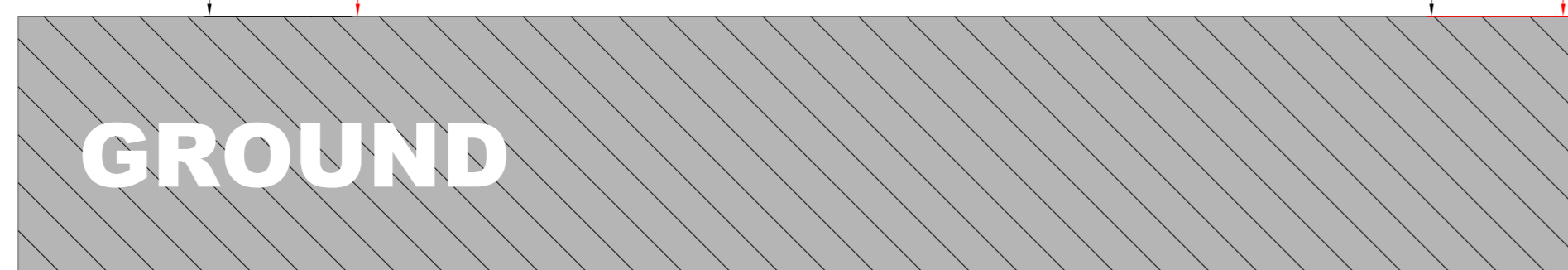
1130mm TO BOTTOM OF PANEL

1200mm MAX TO CENTER OF USABLE BUTTON

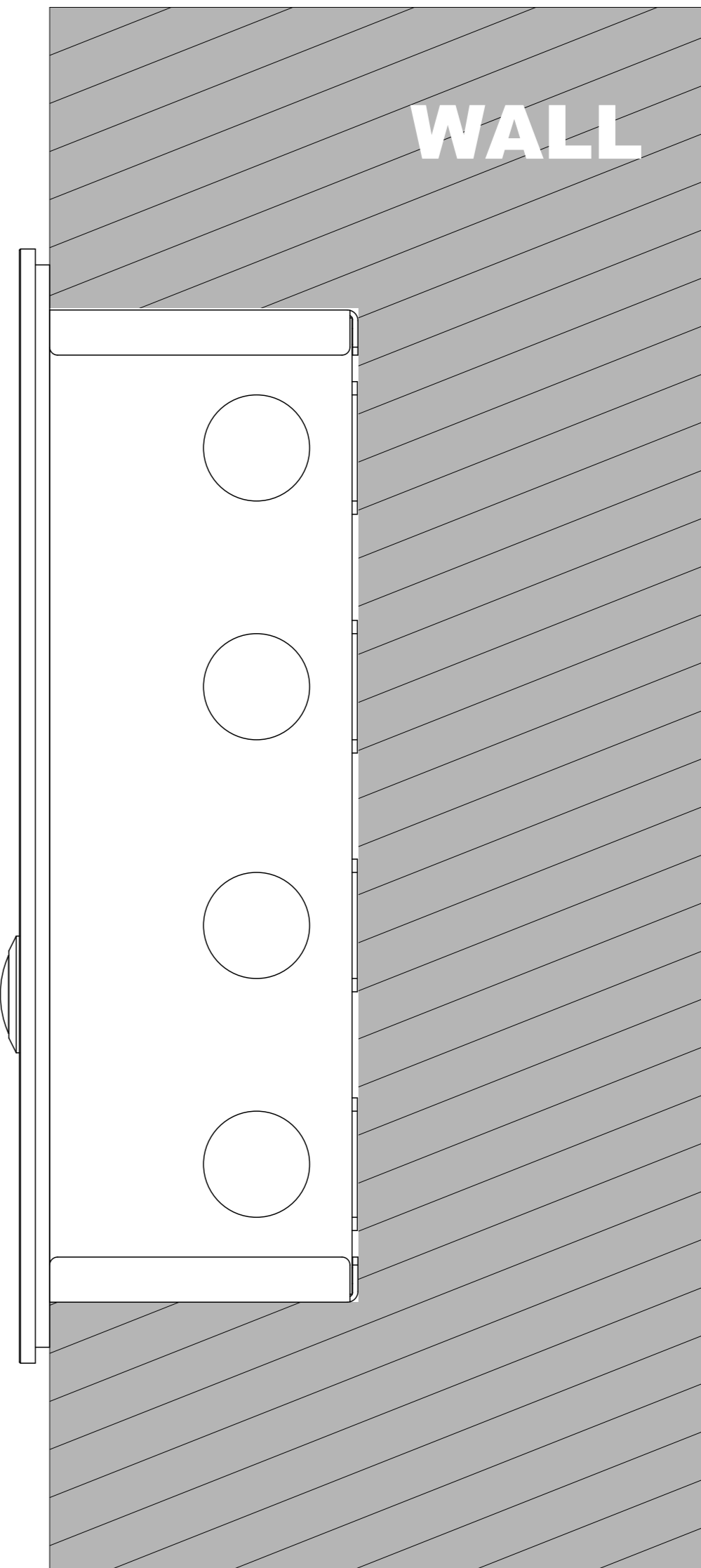
ADA Compliance Requirement

1130mm TO BOTTOM OF PANEL

1200mm MAX TO CENTER OF USABLE BUTTON



3 FRONT VIEW:FLUSH MOUNTING BRACKET PLACEMENT



4 SIDE VIEW:INTERCOM IN WALL

1140mm TO BOTTOM OF BRACKET

