

Eye-Sight

This series is designed for security professionals and offers superior image quality, advanced AI analytics, seamless connectivity, and unparalleled insight and protection, with options and configurations to meet specific needs. The Check Point Quantum IoT Nano and DDA2 Analytics provide detailed attribute analysis and advanced threat prevention.



DAI-380IPEN-MVF-V3

40m IR 8MP DDA Analytics Motorized Lens Large Anti-Vandal Dome Camera With Built-in Check Point Protection

Equipped with a 2.8-12mm motorized lens, this 8MP anti-vandal camera is designed for medium-distance surveillance (up to 40m) in indoor and outdoor scenarios. Intended for high-security area monitoring (such as banks, hotels, or chain stores) and to capture crime in the act, the camera features vandal-proof IK10 protection, which makes it extremely hard to sabotage. The camera offers broad possibilities for Analytics, from Face Detection to the outstanding DDA Analytics (Detect, Distinguish, Alert) and the newly developed DDA2, which can perform object recognition, object counting, and investigate specifics such as age, color, gender, vehicle brand and much more. This model complies with NDAA demands and ensures your device is cyber-protected round the clock with the integrated Check Point Quantum IoT Nano agent that provides an advanced threat prevention layer against the common attack vectors at runtime. With various detection rules and triggers, the DAI-380IPEN-MVF-V3 camera is here to end false alarms.



1/3 Sensor family	2.8-12 mm Lens	40m IR IR View 0 Lux	PoE	WDR True
Audio IN	Audio OUT	Build-In Mic	IP67 Protection rating	IK10 Protection rating
Alarm IN/OUT				

DDA 2 nd ANALYTICS	IR NIGHT VISION	FACE DETECTION
NDAA	MOTORIZED LENS	ONVIF T S G

MAIN FEATURES

- DAI-380IPEN-MVF-V3
- Sensor: 1/3" CMOS (16:9)
- Resolution: 3840x2160 25/30FPS (8MP)
- Lens: 2.8-12mm MVF With Auto Focus (95°-32°)
- True Day&Night - ICR
- Illumination: 40m (2 High-Power IR LED)
- Compression: H.265 / H.264 / H.265+ / H.264+ / MJPEG (Substream only)
- Quantum IoT Nano agent by Check Point™
- General Analytics: Camera Tampering
- AI (Object Recognition): DDA Sterile Area, DDA Line Crossing, DDA Object Counting (Line), DDA Object Counting (Area), DDA Loitering Detection, DDA Illegal Parking Detection
- AI (Face Detection): 10 Faces per frame
- AI: Heatmap
- DDA2: Advanced Object Classification
- Audio Exception
- True WDR (120dB), BLC, HLC, ROI
- SD Card: Event/Schedule Record (Up to 256Gb)
- Alarm in + Alarm out
- Built-in Microphone + Audio input + Audio output
- ONVIF: Profile T/S/G
- Water Proof: IP67, Vandal Proof: IK10
- Weight: ~960g
- Power: DC12V/~750mA / PoE/~11W



SPECIFICATIONS

3rd Party Cyber Protection	
General	Quantum IoT Nano agent by Check Point™
Protection Methods	Shell injection protection, File Monitor, Import-Table Protection, Dynamic-Memory Protection
NDAA Compliant	
NDAA Compliant	Yes
Video	
Image Sensor	1/3" CMOS (16:9)
Effective Pixels	3840x2160
Electronic Shutter	1/25s ~ 1/100000s
Day & Night	ICR
Min. Illumination	0.015 lux (@F1.4, AGC on) 0 lux with IR on
Audio	
Audio compression	G.711A/G.711U
Communication	Two-Way Audio
Image	
Image Settings	AWB, AGC Adjustable, Exposure Mode (Auto) Sharpness, Saturation, Brightness & Contrast Adjustable
Image Enhancement	True WDR (120dB), BLC, HLC, ROI
Noise Reduction	3D-DNR
Image Orientation	Mirror/Flip
Privacy Zone	Yes
Events and Analytics	
Analytics	General Analytics: Camera Tampering AI (Object Recognition): DDA Sterile Area, DDA Line Crossing, DDA Object Counting (Line), DDA Object Counting (Area), DDA Loitering Detection, DDA Illegal Parking Detection AI (Face Detection): 10 Faces per frame AI: Heatmap DDA2: Advanced Object Classification Audio Exception
Motion Detection	Yes
Compression	
Resolution	8MP / 4K / 6MP / 5MP / 4MP / 2MP / 1MP / D1 / QVGA / CIF

Frame Rate	1-25/30FPS in Normal Mode. 1-50/60FPS in HFR Mode**
Video Compression	H.265 / H.264 / H.265+ / H.264+ / MJPEG (Substream only)
Multi-Stream	Master Stream: 4K(3840x2160) (1~20fps) / 6MP(3072x2048) / 5MP(2592x1944) / 2K(2560x1440) / 2MP(1920x1080) Substream: 2MP/1MP/D1/CIF/QCIF Third Stream: 1MP/D1/CIF/QCIF (1~30fps)
Bit Rate	64Kbps ~ 7Mbps@H.265 / 64Kbps ~ 8Mbps@H.264
Encode Mode	VBR/CBR
Image Quality	Five levels under VBR; Free adjustment under CBR

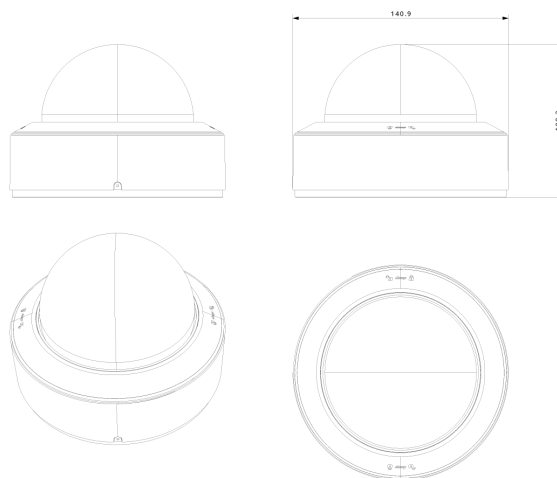
Lens	
Lens (Field of View)	2.8-12mm MVF With Auto Focus (95°-32°)
Iris	DC Iris
Lens Mount	Ø14 Mount
Detect	2.8~12mm(W): 80m(262ft) - 2.8~12mm(T): 273m(896ft)
Recognize	2.8~12mm(W): 16m(52ft) - 2.8~12mm(T): 55m(180ft)
Identify	2.8~12mm(W): 8m(26ft) - 2.8~12mm(T): 27m(89ft)

Network	
User Access	Supports simultaneous monitoring of up to 10 users with multi-stream real-time transmission
Network Protocol	IPv4, IPv6, TCP, UDP, DHCP, NTP, DDNS, 802.1X, RTSP, Multicast, UPnP, Email, FTP, HTTPS, QoS, P2P
Remote Monitoring	IE Browsing (Plug-In required), Chrome/Edge/Safari/Firefox plug-in free browsing, Ossia VMS Software, Provision Cam2 Mobile App
Ethernet	100Mbps
ONVIF	Profile T/S/G

Connectivity	
Network	RJ45 (+PoE)
Audio Connectivity	Built-in Microphone + Audio input + Audio output
Alarm	Alarm in + Alarm out
SD Card	Event/Schedule based Main/Substream recording (Up to 256Gb)

Wiegand	No
Power	DC Socket
Analog Video Output	CVBS (BNCx1)
Housing	
PoE	Yes
Illumination	40m (2 High-Power IR LED)
Power Supply	DC12V/~750mA / PoE/~11W
Protection Rate	Water Proof: IP67, Vandal Proof: IK10
Work Environment	-30°C~60°C, 10%~90% Humidity
Bracket	3-Axis Bracket
Dimensions	Ø140.9x100.3mm
Weight (gross)	~960g
Hard Reset Button	Yes

DIMENSIONS



ACCESSORIES

