

S-Sight

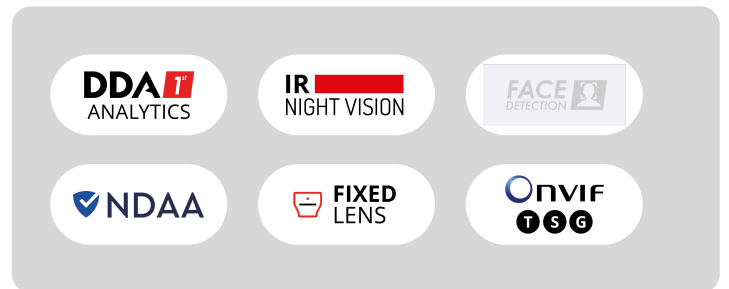
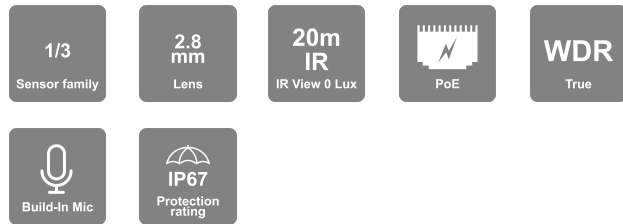
This series simplifies surveillance with high-quality images and enhanced night vision capabilities. Powered by AI (DDA™ Video Analytics and Face Recognition) and equipped with Check Point protection for comprehensive monitoring. Choose from rainbow cameras, Motorized Varifocal options, and Anti-Vandal designs for high-security areas.



DI-320IPSN-28-G-V2

20m IR 2MP Fixed Lens Small Dome/Turret Camera

Equipped with a wide-angle 2.8mm fixed lens, this 2MP dome/turret camera is designed for short-distance surveillance (up to 20m) in indoor and outdoor scenarios. The camera offers outstanding DDA Analytics (Detect, Distinguish, Alert), which can perform human and vehicle recognition. With its outstanding performance, reliability, and affordable price, the DI-320IPSN-28-V2 camera is the perfect solution for basic installations.



MAIN FEATURES

- DI-320IPSN-28-G-V2
- Sensor: 1/2.8" CMOS (16:9)
- Resolution: 1920×1080 25/30FPS (2MP)
- Lens: 2.8mm (107°)
- True Day&Night – ICR
- Illumination: 20m (1 High-Power IR LED)
- Compression: H.265 / H.264 / MJPEG
- General Analytics: Camera Tampering
- AI (Object Recognition): DDA Sterile Area, DDA Line Crossing
- True WDR (120dB), BLC, HLC, ROI
- SD Card: Event/Schedule Record (Up to 128Gb)
- Built-in Microphone
- ONVIF: Profile T/S/G
- Water Proof: IP67
- Weight: ~450g
- Power: DC12V/~420mA / PoE/~5.4W



<https://provision-isr.com>

SPECIFICATIONS

3rd Party Cyber Protection	
General	N/A
Protection Methods	N/A
NDAA Compliant	
NDAA Compliant	Yes
Video	
Image Sensor	1/2.8" CMOS (16:9)
Effective Pixels	1920x1080
Electronic Shutter	1/25s ~ 1/100000s
Day & Night	ICR
Min. Illumination	Day: 0.1lux / Night: 0.009lux (@F1.6, AGC on) 0lux with IR on
Audio	
Audio compression	G.711A/G.711U
Communication	One-Way Audio
Image	
Image Settings	AWB, AGC Adjustable, Exposure Mode (Auto) Sharpness, Saturation, Brightness & Contrast Adjustable
Image Enhancement	True WDR (120dB), BLC, HLC, ROI
Noise Reduction	3D-DNR
Image Orientation	Mirror/Flip
Privacy Zone	Yes
Events and Analytics	
Analytics	General Analytics: Camera Tampering AI (Object Recognition); DDA Sterile Area, DDA Line Crossing
Motion Detection	Yes
Compression	
Resolution	2MP (1920x1080) / 1MP (1280x720) / D1 (704x576) / CIF (352x288)

Frame Rate	1-25/30FPS
Video Compression	H.265 / H.264 / MJPEG**
Multi-Stream	Master Stream: 2MP (1920x1050) / 1MP (1280x720) (1~30fps) Substream: QVGA/D1/CIF Third Stream: QVGA/D1/CIF (1~30fps)
Bit Rate	64Kbps ~ 4Mbps@H.265 / 64Kbps ~ 6Mbps@H.264
Encode Mode	VBR/CBR
Image Quality	Five levels under VBR; Free adjustment under CBR

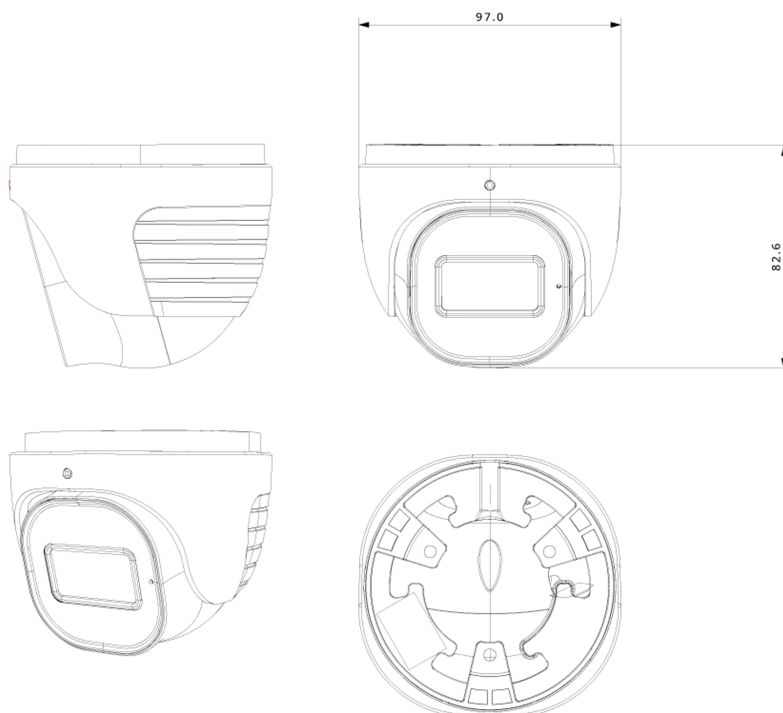
Lens	
Lens (Field of View)	2.8mm (107°)
Iris	Fixed Iris
Lens Mount	M12 Mount
Detect	40.62m(133.26ft)
Recognize	8.12m(26.64ft)
Identify	4.06m(13.32ft)

Network	
User Access	Supports simultaneous monitoring of up to 3 users with multi-stream real-time transmission
Network Protocol	IPv4, IPv6, TCP, UDP, DHCP, NTP, DDNS, 802.1X, RTSP, Multicast, UPnP, Email, FTP, HTTPS, QoS
Remote Monitoring	IE Browsing (Plug-In required), Chrome/Edge/Safari/Firefox plug-in free browsing, Ossia VMS Software, Provision Cam2 Mobile App
Ethernet	100Mbps
ONVIF	Profile T/S/G

Connectivity	
Network	RJ45 (+PoE)
Audio Connectivity	Built-in Microphone
Alarm	No
SD Card	Event/Schedule based Main/Substream recording (Up to 128Gb)

Wiegand	No
Power	DC Socket
Analog Video Output	No
Housing	
PoE	Yes
Illumination	20m (1 High-Power IR LED)
Power Supply	DC12V/~420mA / PoE/~5.4W
Protection Rate	Water Proof: IP67
Work Environment	-30°C~60°C, 10%~90% Humidity
Bracket	3-Axis Bracket-G
Dimensions	Ø97mm×82.6mm
Weight (gross)	~450g
Hard Reset Button	Yes

DIMENSIONS



ACCESSORIES

