

## S-Sight

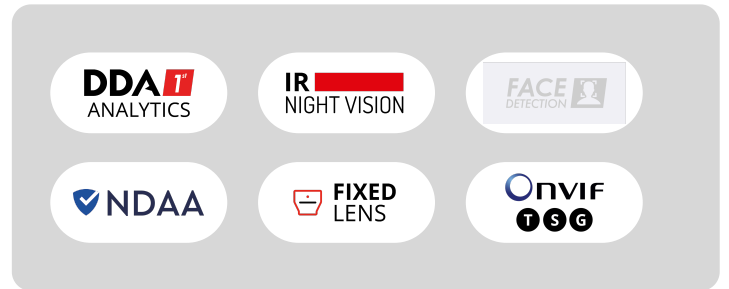
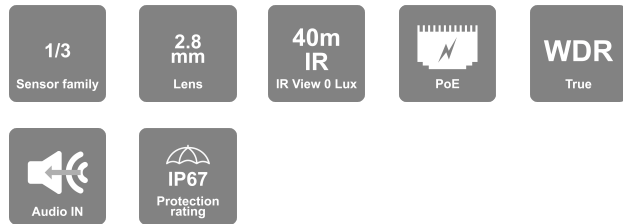
This series simplifies surveillance with high-quality images and enhanced night vision capabilities. Powered by AI (DDA™ Video Analytics and Face Recognition) and equipped with Check Point protection for comprehensive monitoring. Choose from rainbow cameras, Motorized Varifocal options, and Anti-Vandal designs for high-security areas.



# I4-380IPSN-28-V3

## 40m IR 8MP Fixed Lens Medium Bullet Camera With Built-in Check Point Protection

Equipped with a 2.8mm fixed lens, this 8MP Bullet camera is designed for short-distance surveillance (up to 40m) in indoor and outdoor scenarios. With its excellent performance, reliability, and affordable price, the I4-380IPSN-28-V3 camera is the perfect solution for any basic installation. Check Point Quantum IoT Nano agent is integrated into this model. It provides an advanced threat prevention layer against the common attack vectors at runtime.



## MAIN FEATURES

- I4-380IPSN-28-V3
- Sensor: 1/2.8" CMOS (16:9)
- Resolution: 3840×2160 25/30FPS (8MP)
- Lens: 2.8mm (101°)
- True Day&Night – ICR
- Illumination: 40m (2 High-Power IR LED)
- Compression: H.265+ / H.264+ / H.265 / H.264 / MJPEG
- Quantum IoT Nano agent by Check Point™
- General Analytics: Camera Tampering
- AI (Object Recognition): DDA Sterile Area, DDA Line Crossing
- True WDR, BLC, HLC, ROI
- SD Card: Event/Schedule Record (Up to 256Gb)
- Audio Input
- ONVIF: Profile T/S/G
- Water Proof: IP67
- Weight: ~650g
- Power: DC12V/~780mA / PoE/~7.4W



<https://provision-isr.com>

## SPECIFICATIONS

3rd Party Cyber Protection	
<b>General</b>	Quantum IoT Nano agent by Check Point™
<b>Protection Methods</b>	Shell injection protection, File Monitor, Import-Table Protection, Dynamic-Memory Protection
NDAA Compliant	
<b>NDAA Compliant</b>	Yes
Video	
<b>Image Sensor</b>	1/2.8" CMOS (16:9)
<b>Effective Pixels</b>	3840x2160
<b>Electronic Shutter</b>	1s ~ 1/1000000s
<b>Day &amp; Night</b>	ICR
<b>Min. Illumination</b>	0.02 lux (@F1.6, AGC on) 0 lux with IR on
Audio	
<b>Audio compression</b>	G.711A/G.711U
<b>Communication</b>	One-way Audio
Image	
<b>Image Settings</b>	AWB, AGC Adjustable, Exposure Mode (Auto) Sharpness, Saturation, Brightness & Contrast Adjustable
<b>Image Enhancement</b>	True WDR, BLC, HLC, ROI
<b>Noise Reduction</b>	3D-DNR
<b>Image Orientation</b>	Mirror/Flip
<b>Privacy Zone</b>	Yes
Events and Analytics	
<b>Analytics</b>	General Analytics: Camera Tampering AI (Object Recognition): DDA Sterile Area, DDA Line Crossing
<b>Motion Detection</b>	Yes
Compression	
<b>Resolution</b>	8MP / 6MP / 5MP / 4MP / 2MP / 1MP / D1 / QVGA / CIF

<b>Frame Rate</b>	8MP @ 1-20FPS, 6MP @ 1-25/30FPS, 5MP @ 1-25/30FPS, 4MP @ 1-25/30FPS, 2MP 1-25/30FPS
<b>Video Compression</b>	H.265+ / H.264+ / H.265 / H.264 / MJPEG**
<b>Multi-Stream</b>	Master Stream: 4K(3840x2160) (1~20fps) / 6MP(3072x2048) / 5MP(2592x1944) / 2K(2560x1440) / 2MP(1920x1080) Substream: 2MP/1MP/D1/CIF/QCIF Third Stream: 1MP/D1/CIF/QCIF (1~30fps)
<b>Bit Rate</b>	64Kbps ~ 8Mbps@H.265 / 64Kbps ~ 8Mbps@H.264
<b>Encode Mode</b>	VBR/CBR
<b>Image Quality</b>	Five levels under VBR; Free adjustment under CBR

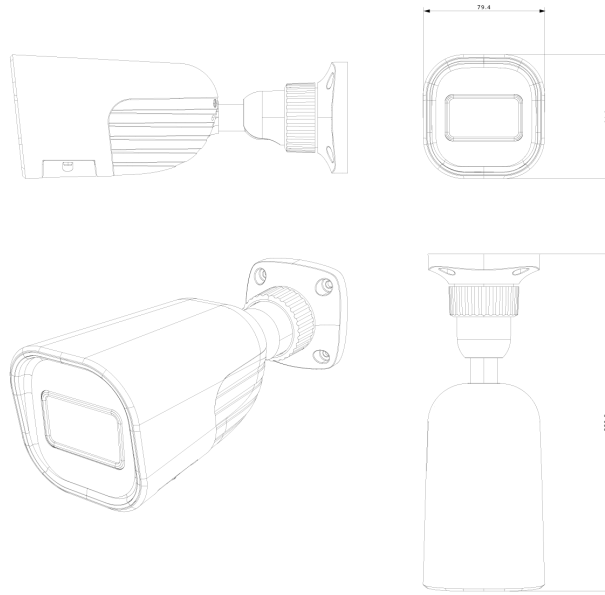
<b>Lens</b>	
<b>Lens (Field of View)</b>	2.8mm (101°)
<b>Iris</b>	Fixed Iris
<b>Lens Mount</b>	M12 Mount
<b>Detect</b>	86.65m(284.28ft)
<b>Recognize</b>	17.33m(56.85ft)
<b>Identify</b>	8.66m(28.41ft)

<b>Network</b>	
<b>User Access</b>	Supports simultaneous monitoring of up to 10 users with multi-stream real-time transmission
<b>Network Protocol</b>	IPv4, IPv6, TCP, UDP, DHCP, NTP, DDNS, 802.1X, RTSP, Multicast, UPnP, Email, FTP, HTTPS, QoS, P2P
<b>Remote Monitoring</b>	IE Browsing (Plug-In required), Chrome/Edge/Safari/Firefox plug-in free browsing, Ossia VMS Software, Provision Cam2 Mobile App
<b>Ethernet</b>	100Mbps
<b>ONVIF</b>	Profile T/S/G

<b>Connectivity</b>	
<b>Network</b>	RJ45 (+PoE)
<b>Audio Connectivity</b>	Audio Input
<b>Alarm</b>	No
<b>SD Card</b>	Event/Schedule based Main/Substream recording (Up to 256Gb)

<b>Wiegand</b>	No
<b>Power</b>	DC Socket
<b>Analog Video Output</b>	No
<b>Housing</b>	
<b>PoE</b>	Yes
<b>Illumination</b>	40m (2 High-Power IR LED)
<b>Power Supply</b>	DC12V/~780mA / PoE/~7.4W
<b>Protection Rate</b>	Water Proof: IP67
<b>Work Environment</b>	-30°C~60°C, 10%~90% Humidity
<b>Bracket</b>	3-Axis Bracket
<b>Dimensions</b>	220.8x79.4x81.2mm
<b>Weight (gross)</b>	~650g
<b>Hard Reset Button</b>	Yes

## DIMENSIONS



## ACCESSORIES

