

S-Sight

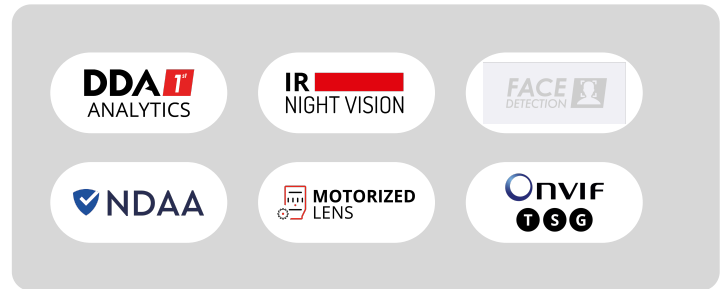
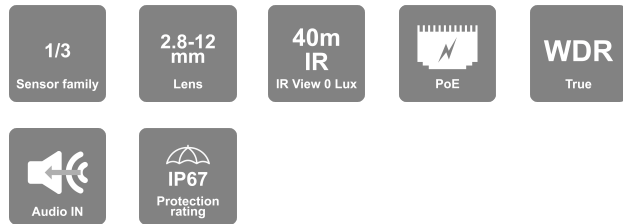
This series simplifies surveillance with high-quality images and enhanced night vision capabilities. Powered by AI (DDA™ Video Analytics and Face Recognition) and equipped with Check Point protection for comprehensive monitoring. Choose from rainbow cameras, Motorized Varifocal options, and Anti-Vandal designs for high-security areas.



I4-380IPSN-MVF-V3

40m IR 8MP Motorized Vari-Focal Lens Medium Bullet Camera With Built-in Check Point Protection

Equipped with a 2.8-12mm motorized lens, this 8MP bullet camera is designed for medium-distance surveillance (up to 40m) in indoor and outdoor scenarios. With its excellent performance, reliability, and affordable price, the I4-380IPSN-MVF-V3 camera is the perfect solution for any basic installation. Check Point Quantum IoT Nano agent is integrated into this model. It provides an advanced threat prevention layer against the common attack vectors at runtime.



MAIN FEATURES

- I4-380IPSN-MVF-V3
- Sensor: 1/2.8" CMOS (16:9)
- Resolution: 3840×2160 20FPS (8MP)
- Lens: 2.8-12mm MVF with Auto Focus (99° – 34°)
- True Day&Night – ICR
- Illumination: 40m (2 High-Power IR LED)
- Compression: H.265 / H.264
- Quantum IoT Nano agent by Check Point™
- General Analytics: Camera Tampering
- AI (Object Recognition): DDA Sterile Area, DDA Line Crossing
- True WDR, BLC, HLC, ROI
- SD Card: Event/Schedule Record (Up to 256Gb)
- Audio input
- ONVIF: Profile T/S/G
- Water Proof: IP67
- Weight: ~650g
- Power: DC12V/~780mA / PoE/~7.4W



<https://provision-isr.com>

SPECIFICATIONS

3rd Party Cyber Protection	
General	Quantum IoT Nano agent by Check Point™
Protection Methods	Shell injection protection, File Monitor, Import-Table Protection, Dynamic-Memory Protection
NDAA Compliant	
NDAA Compliant	Yes
Video	
Image Sensor	1/2.8" CMOS (16:9)
Effective Pixels	3840x2160
Electronic Shutter	1s ~ 1/100000s
Day & Night	ICR
Min. Illumination	0.02 lux (@F1.6, AGC on) 0 lux with IR on
Audio	
Audio compression	G.711A/G.711U
Communication	One-Way Audio
Image	
Image Settings	AWB, AGC Adjustable, Exposure Mode (Auto) Sharpness, Saturation, Brightness & Contrast Adjustable
Image Enhancement	True WDR, BLC, HLC, ROI
Noise Reduction	3D-DNR
Image Orientation	Mirror/Flip
Privacy Zone	Yes
Events and Analytics	
Analytics	General Analytics: Camera Tampering AI (Object Recognition): DDA Sterile Area, DDA Line Crossing
Motion Detection	Yes
Compression	
Resolution	8MP / 6MP / 5MP / 4MP / 2MP / 1MP / D1 / QVGA / CIF

Frame Rate	1-20FPS
Video Compression	H.265 / H.264
Multi-Stream	Master Stream: 4K(3840x2160) (1~20fps)/ 6MP(3072x2048) / 5MP(2592x1944) / 2K(2560x1440) / 2MP(1920x1080) Substream: 2MP/1MP/D1/CIF/QCIF Third Stream: 1MP/D1/CIF/QCIF (1~30fps)
Bit Rate	64Kbps ~ 8Mbps@H.265 / 64Kbps ~ 8Mbps@H.264
Encode Mode	VBR/CBR
Image Quality	Five levels under VBR; Free adjustment under CBR

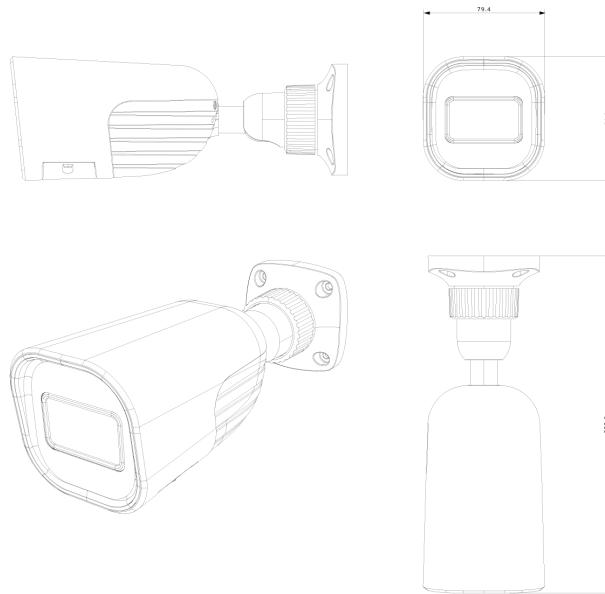
Lens	
Lens (Field of View)	2.8-12mm MVF with Auto Focus (99° - 34°)
Iris	DC Iris
Lens Mount	Ø14 Mount
Detect	2.8~12mm(W) 85.71m(281.20ft) 2.8~12mm(T) 272.75m(894.84ft)
Recognize	2.8~12mm(W) 17.14m(56.23ft) 2.8~12mm(T) 54.55m(178.96ft)
Identify	2.8~12mm(W) 8.57m(28.11ft) 2.8~12mm(T) 27.27m(89.46ft)

Network	
User Access	Supports simultaneous monitoring of up to 10 users with multi-stream real-time transmission
Network Protocol	IPv4, IPv6, TCP, UDP, DHCP, NTP, DDNS, 802.1X, RTSP, Multicast, UPnP, Email, FTP, HTTPS, QoS, P2P
Remote Monitoring	IE Browsing (Plug-In required), Chrome/Edge/Safari/Firefox plug-in free browsing, Ossia VMS Software, Provision Cam2 Mobile App
Ethernet	100Mbps
ONVIF	Profile T/S/G

Connectivity	
Network	RJ45 (+PoE)
Audio Connectivity	Audio input
Alarm	No
SD Card	Event/Schedule based Main/Substream recording (Up to 256Gb)

Wiegand	No
Power	DC Socket
Analog Video Output	No
Housing	
PoE	Yes
Illumination	40m (2 High-Power IR LED)
Power Supply	DC12V/~780mA / PoE/~7.4W
Protection Rate	Water Proof: IP67
Work Environment	-30°C~60°C, 10%~90% Humidity
Bracket	3-Axis Bracket
Dimensions	220.8x79.4x81.2mm
Weight (gross)	~650g
Hard Reset Button	Yes

DIMENSIONS



ACCESSORIES

