

Applicable Model

A03

Drawing Title

Access Control Panel

Drawing Unit

mm

Drawing Scale

Not to scale

**DRAFT
SUBJECT TO
CHANGE**

Last Revised

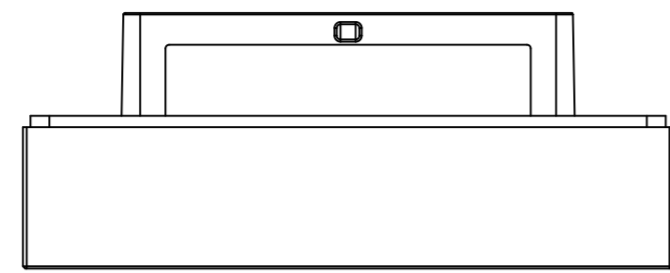
Mar 03,2022

Drawing Version

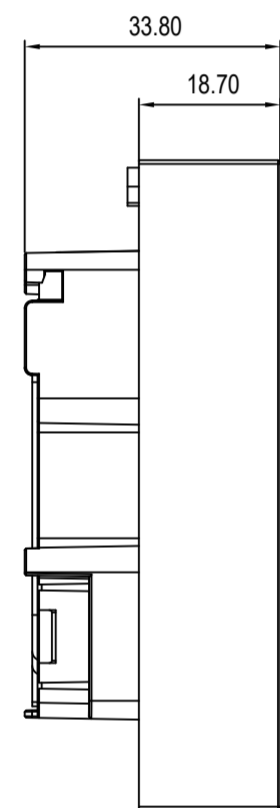
V1.0

Page

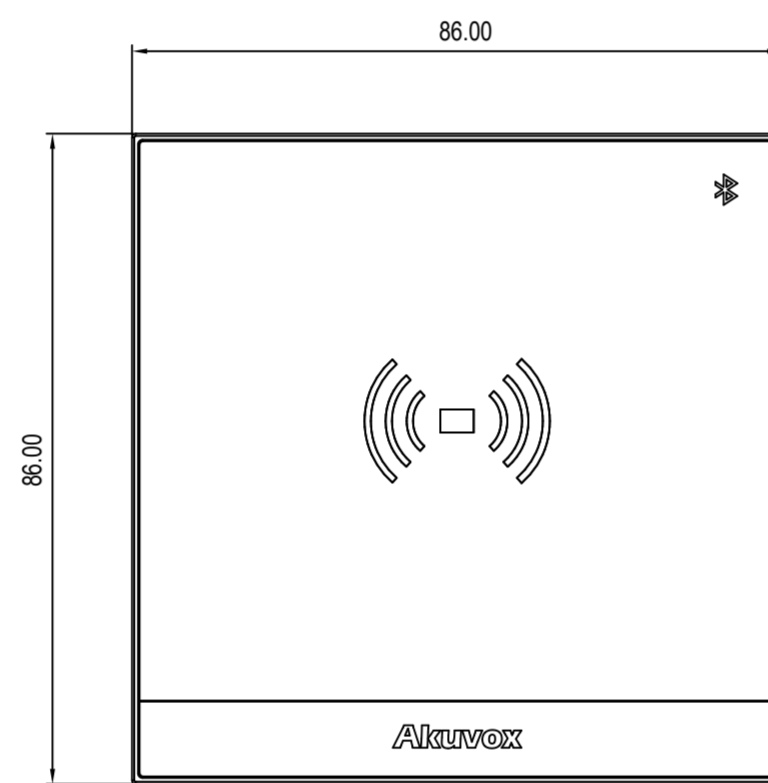
1 of 6



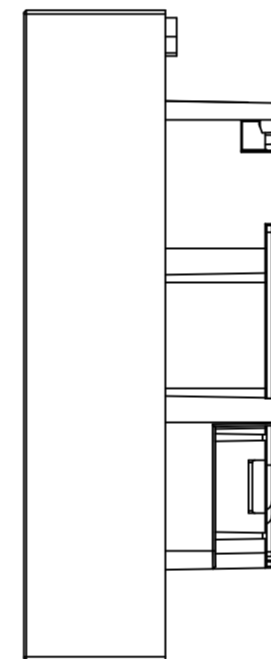
5 TOP VIEW



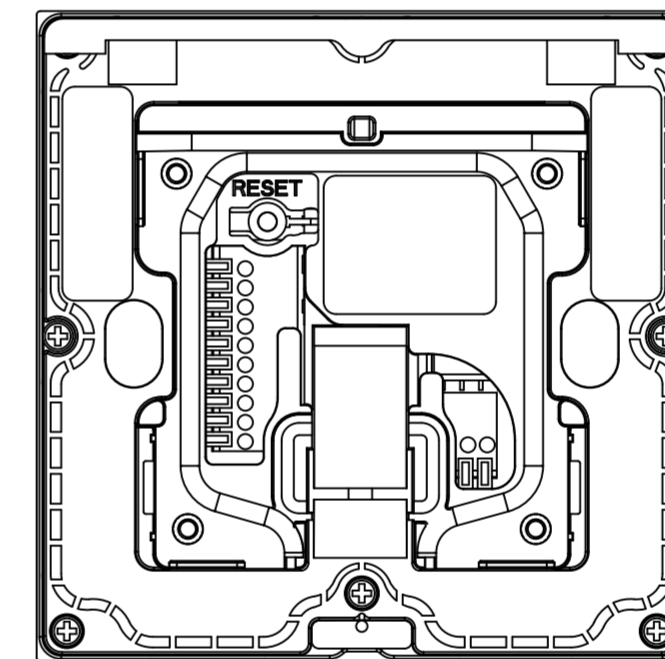
2 RIGHT VIEW



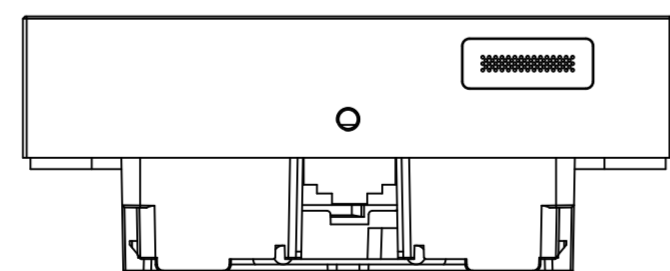
1 FRONT VIEW



3 LEFT VIEW



4 BACK VIEW



6 BOTTOM VIEW

Applicable Model

A03

Drawing Title

Wall Mounting Bracket

Drawing Unit

mm

Drawing Scale

Not to scale

**DRAFT
SUBJECT TO
CHANGE**

Last Revised

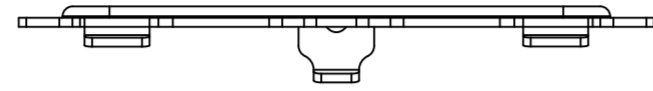
Mar 03,2022

Drawing Version

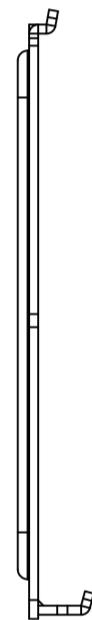
V1.0

Page

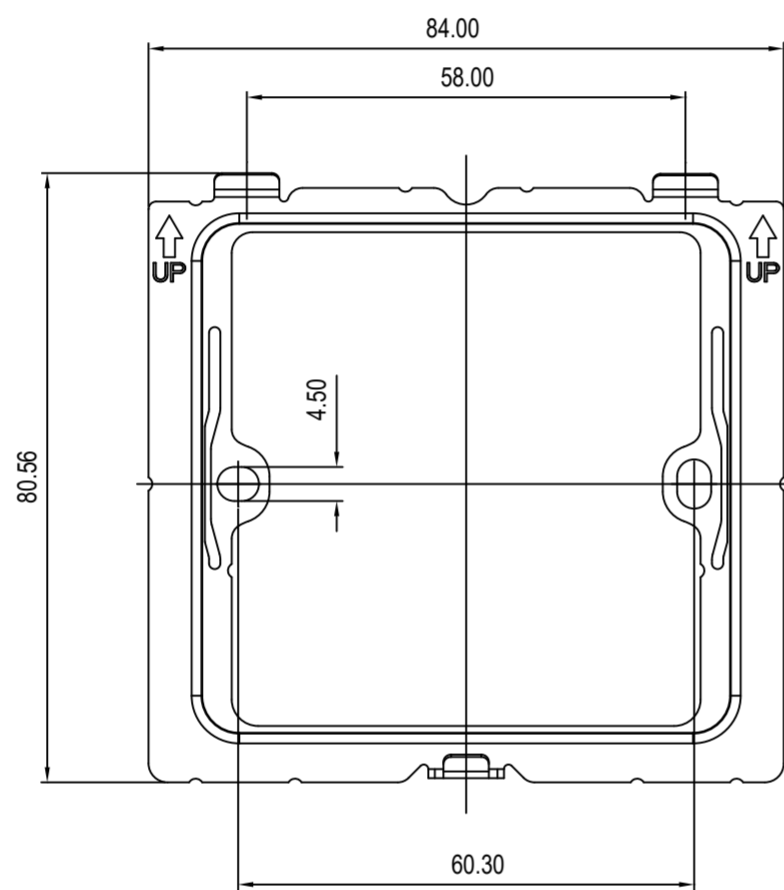
2 of 6



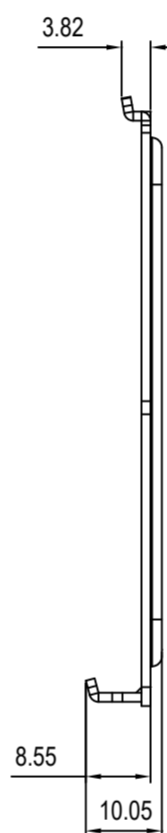
5 **TOP VIEW**



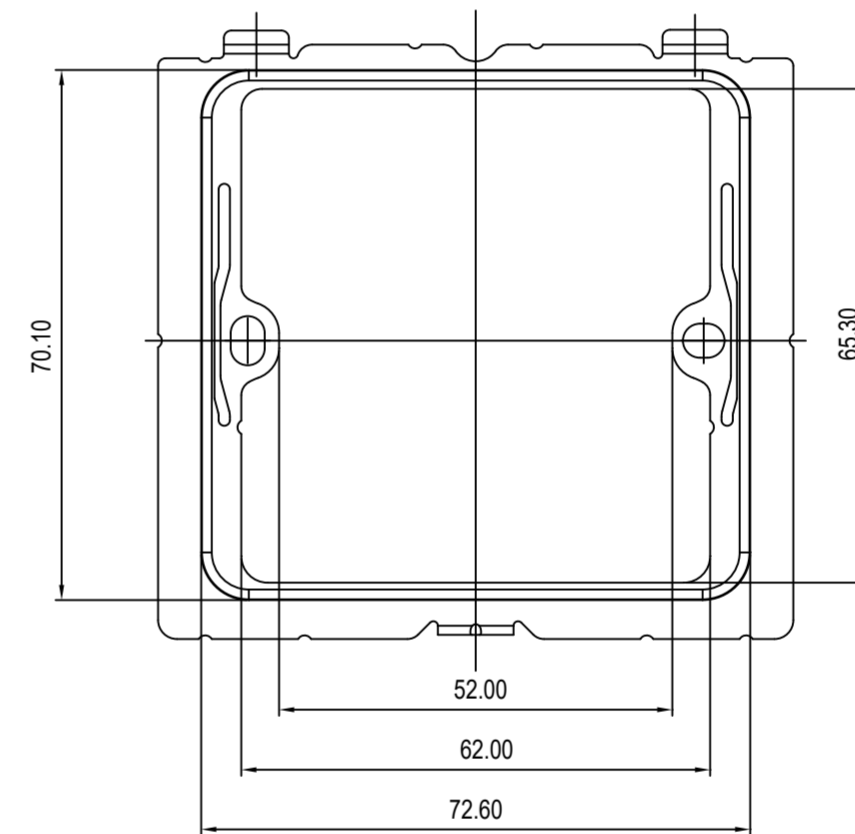
2 **RIGHT VIEW**



1 **FRONT VIEW**



3 **LEFT VIEW**



4 **BACK VIEW**



6 **BOTTOM VIEW**

Applicable Model

A03

Drawing Title

Flush Mounting Box

Drawing Unit

mm

Drawing Scale

Not to scale

**DRAFT
SUBJECT TO
CHANGE**

Last Revised

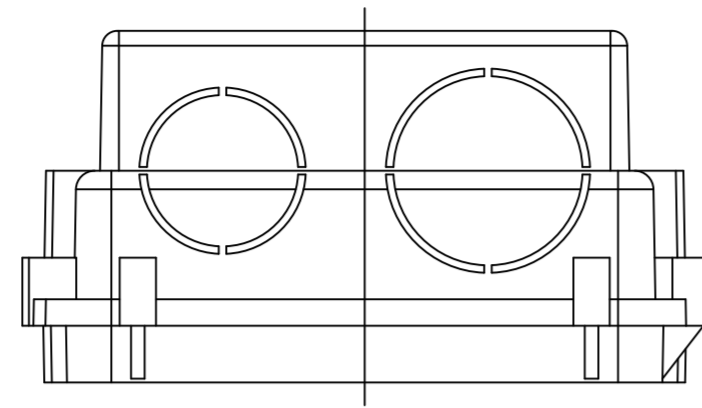
Mar 03,2022

Drawing Version

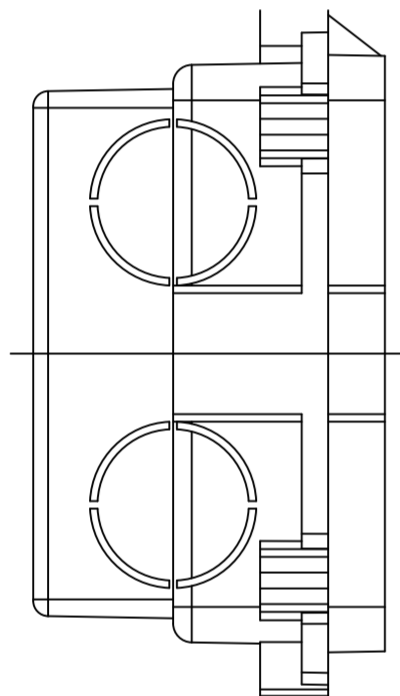
V1.0

Page

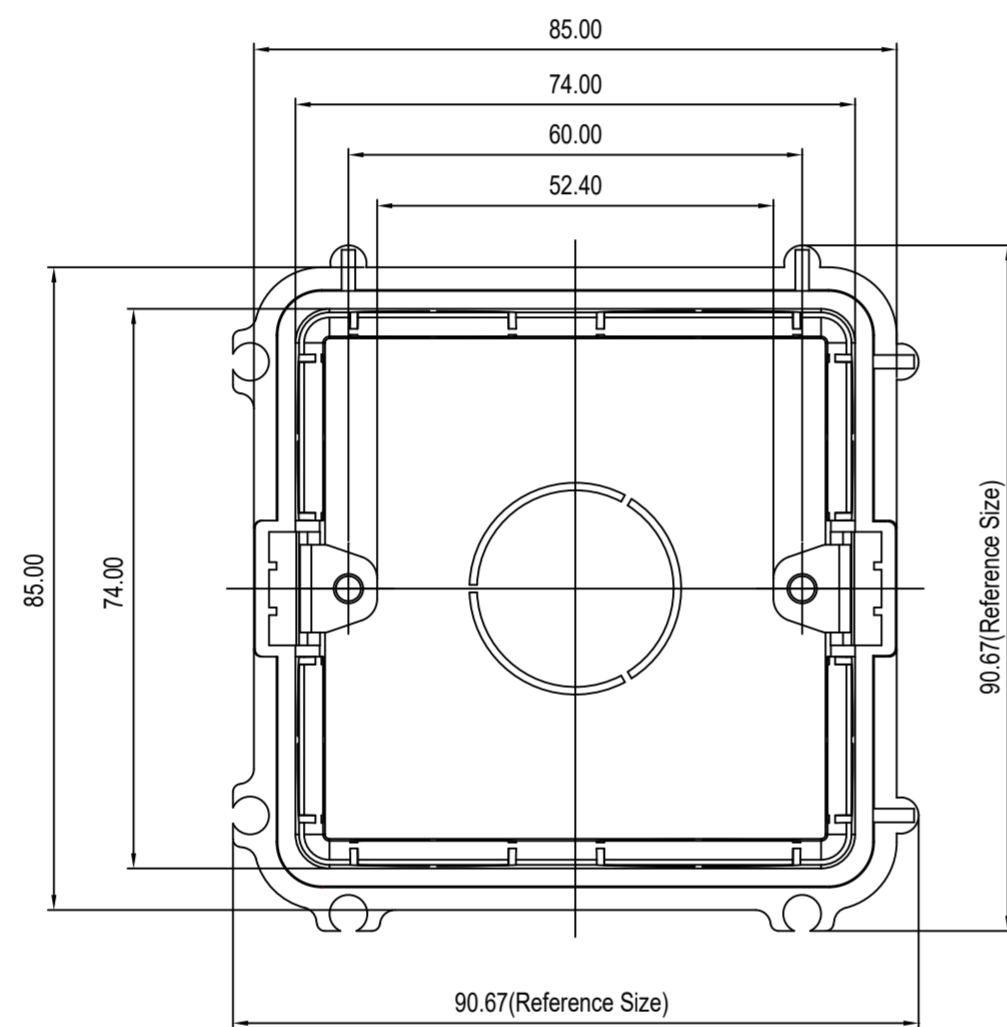
3 of 6



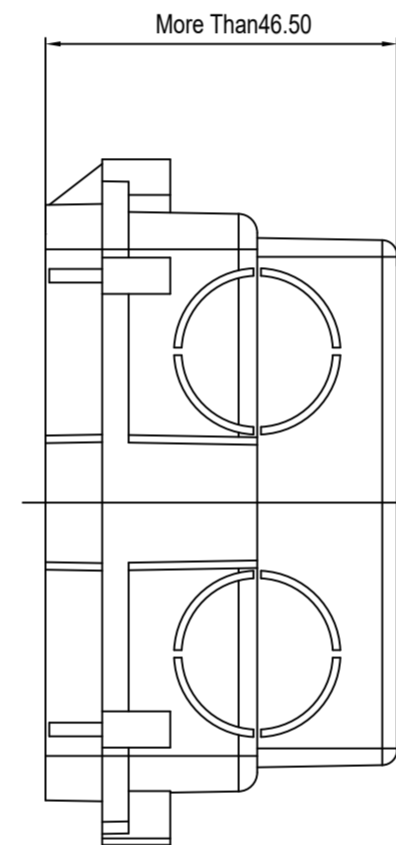
5 TOP VIEW



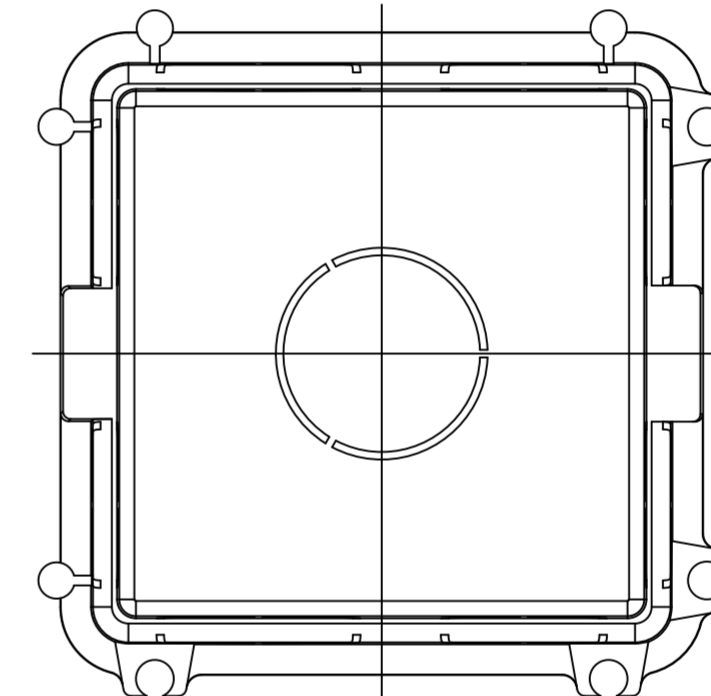
2 RIGHT VIEW



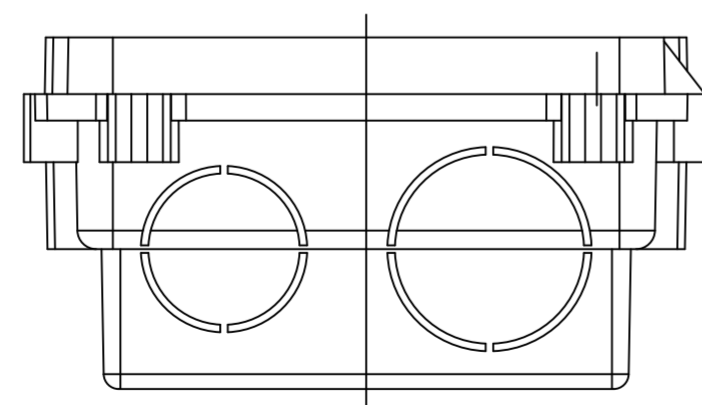
1 FRONT VIEW



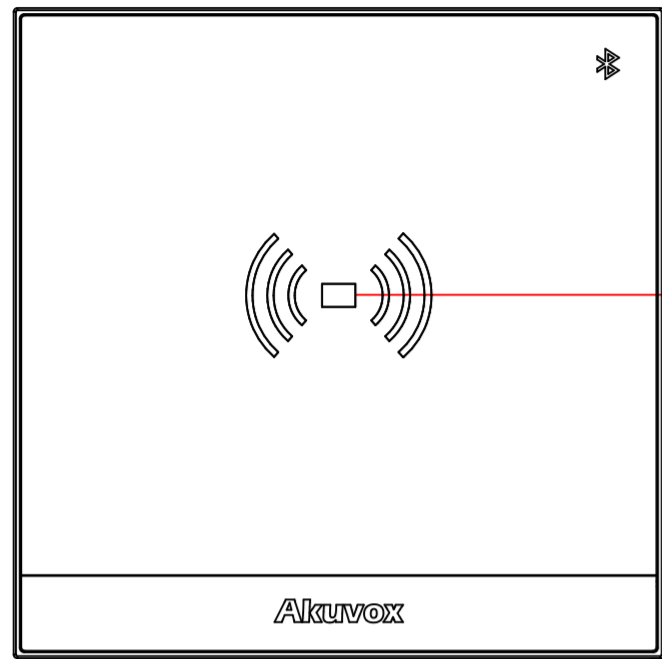
3 LEFT VIEW



4 BACK VIEW



6 BOTTOM VIEW



1 INTERCOM PANEL FRONT VIEW

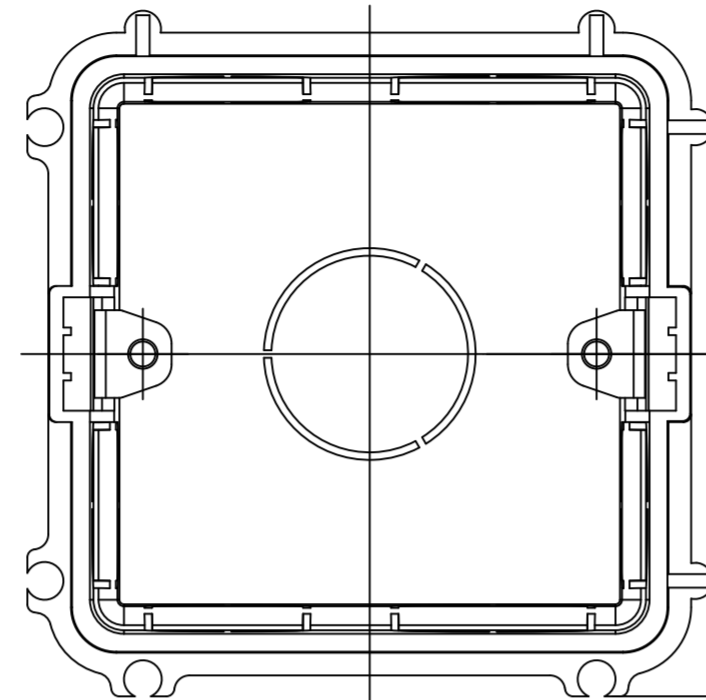
1100mm MAX TO BOTTOM OF PANEL

1148mm MAX TO CENTER OF USABLE PARTS

ADA Compliance Requirement



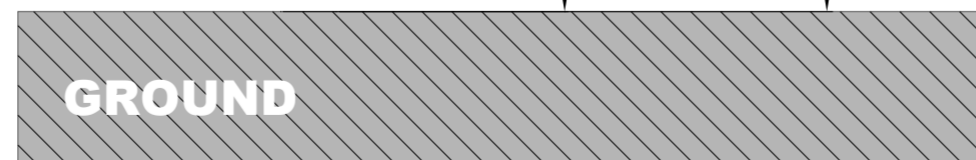
GROUND



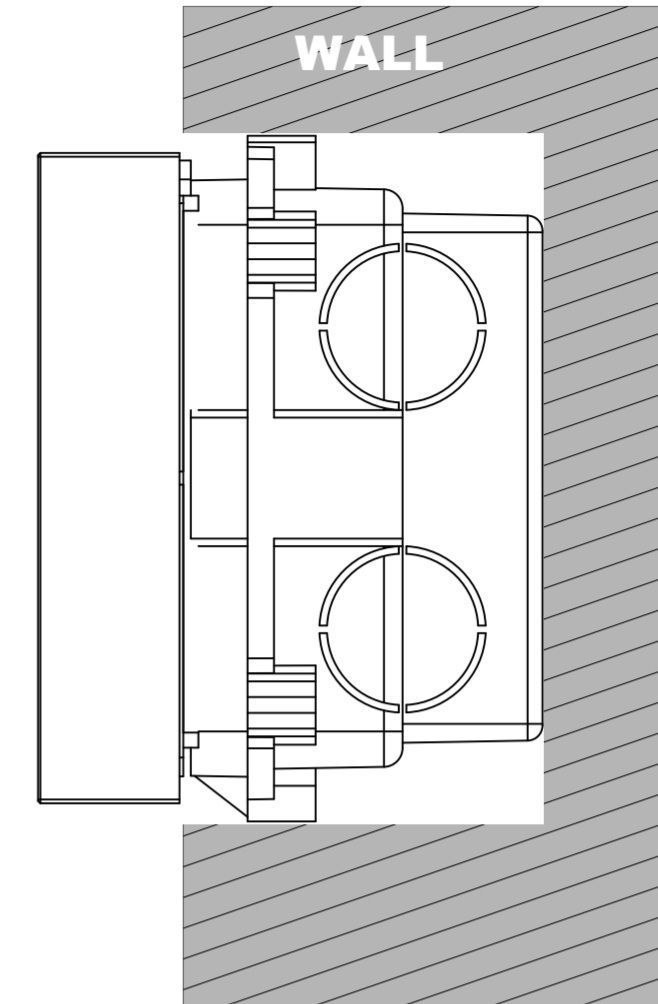
2 FRONT VIEW:FULL MOUNTING BOX PLACEMENT

1095.33mm MAX TO BOTTOM OF BRACKET

1143mm MAX TO SCREW HOLE CENTER OF BRACKET



GROUND



3 SIDE VIEW:INTERCOM PANEL IN WALL

Applicable Model

A03

Drawing Title

Placement

Drawing Unit

mm

Drawing Scale

Not to scale

**DRAFT
SUBJECT TO
CHANGE**

Last Revised

Mar 03,2022

Drawing Version

V1.0

Page

4 of 6

Applicable Model

A03

Drawing Title

Wall Mounting Box

Drawing Unit

mm

Drawing Scale

Not to scale

**DRAFT
SUBJECT TO
CHANGE**

Last Revised

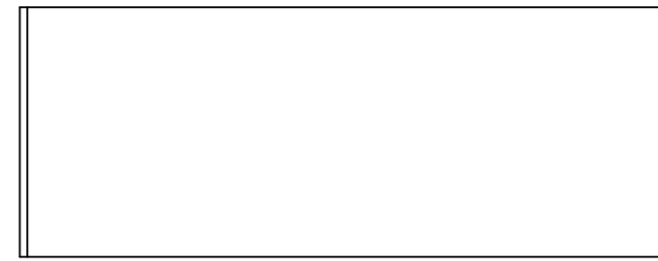
Mar 03,2022

Drawing Version

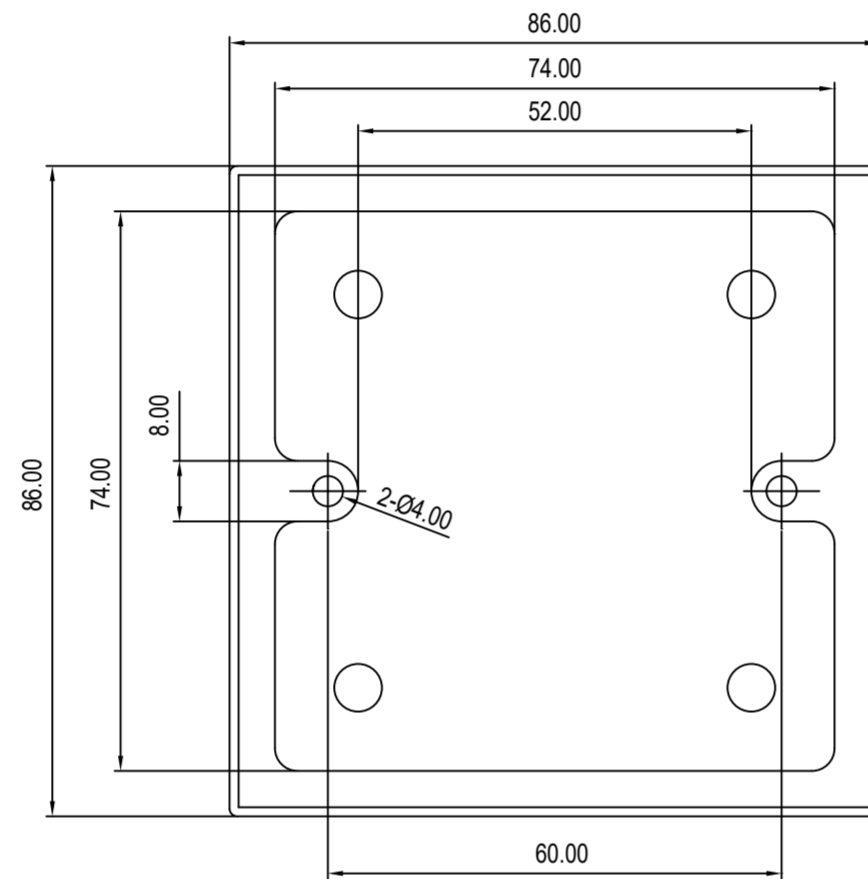
V1.0

Page

5 of 6



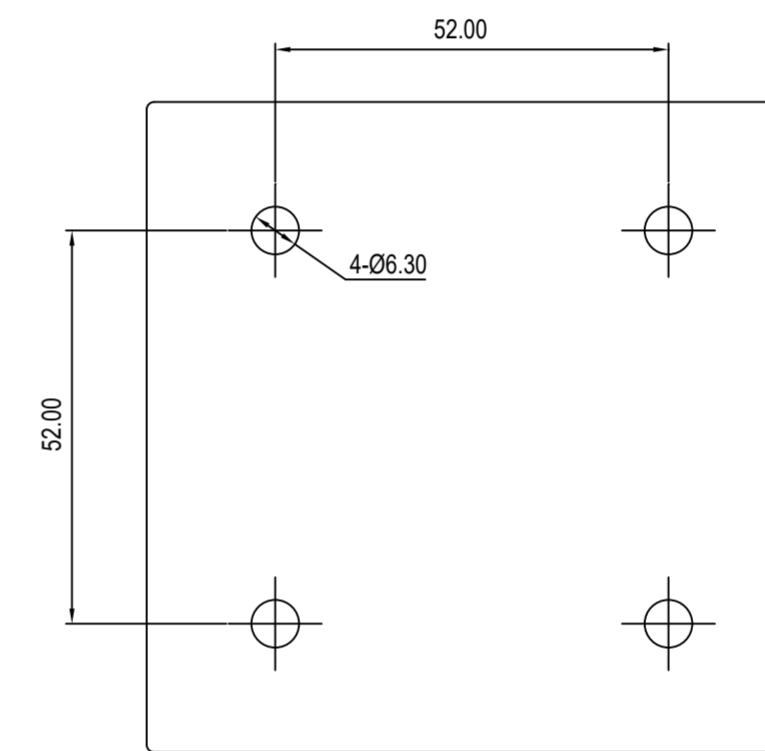
5 **TOP VIEW**



1 **FRONT VIEW**



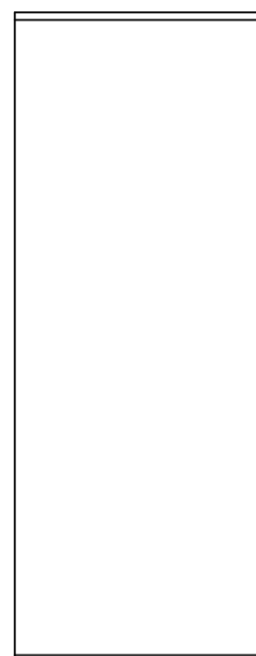
3 **LEFT VIEW**



4 **BACK VIEW**



6 **BOTTOM VIEW**



2 **RIGHT VIEW**

Applicable Model

A03

Drawing Title

Placemenet

Drawing Unit

mm

Drawing Scale

Not to scale

**DRAFT
SUBJECT TO
CHANGE**

Last Revised

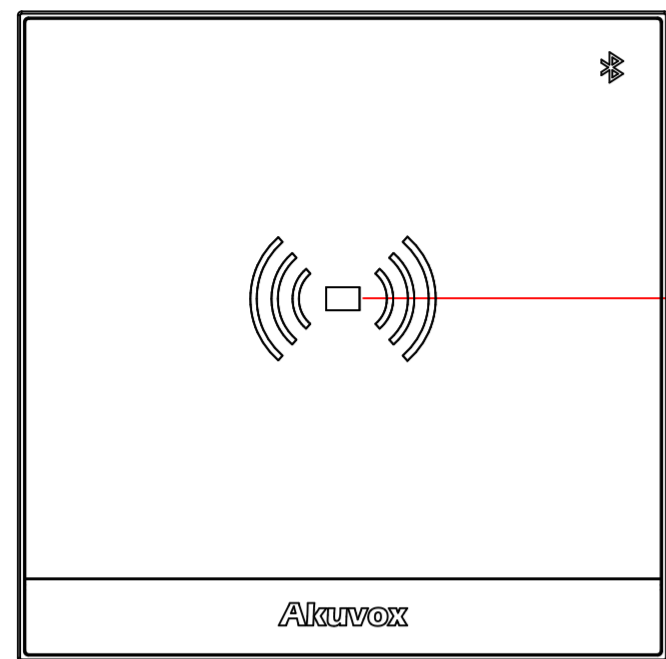
Mar 03,2022

Drawing Version

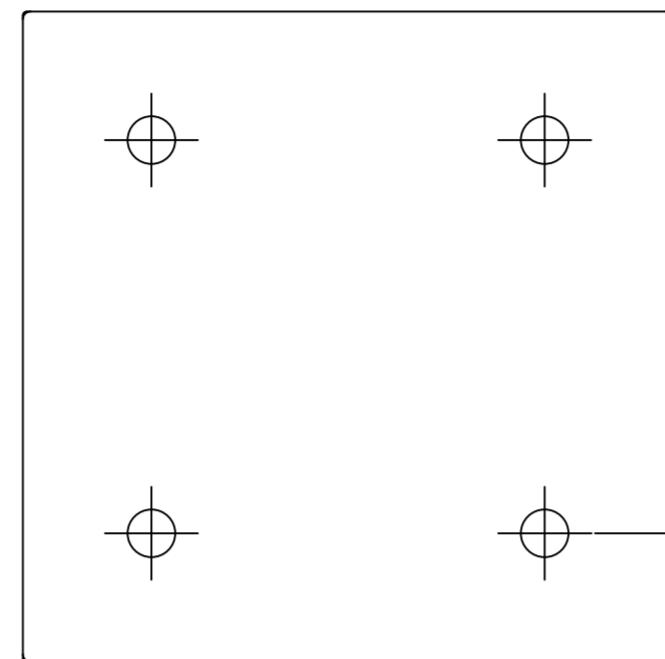
V1.0

Page

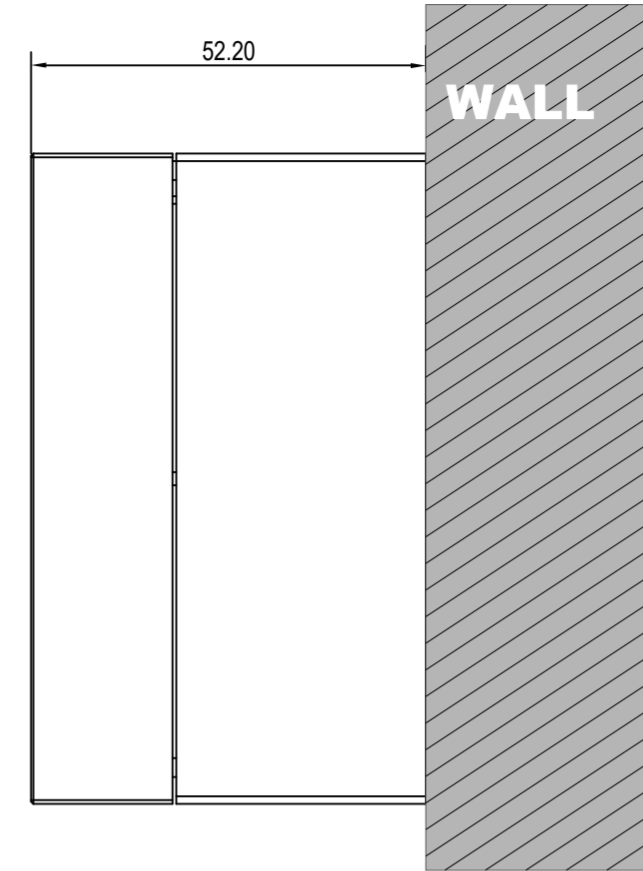
6 of 6



1 INTERCOM PANEL FRONT VIEW



2 FRONT VIEW:WALL MOUNTING BOX PLACEMENT

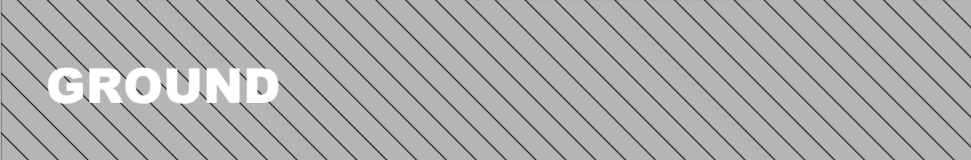


3 SIDE VIEW:INTERCOM PANEL ON WALL

1100mm MAX TO BOTTOM OF PANEL

1148mm MAX TO CENTER OF USABLE PARTS

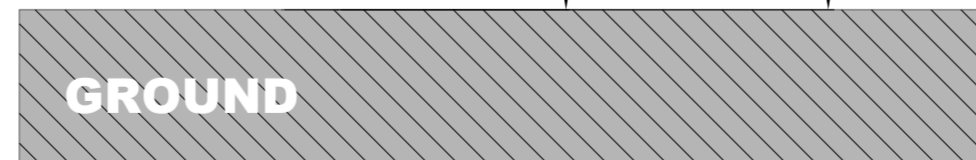
ADA Compliance Requirement



GROUND

1100mm MAX TO BOTTOM OF BRACKET

1117mm MAX TO SCREW HOLE CENTER OF BRACKET



GROUND