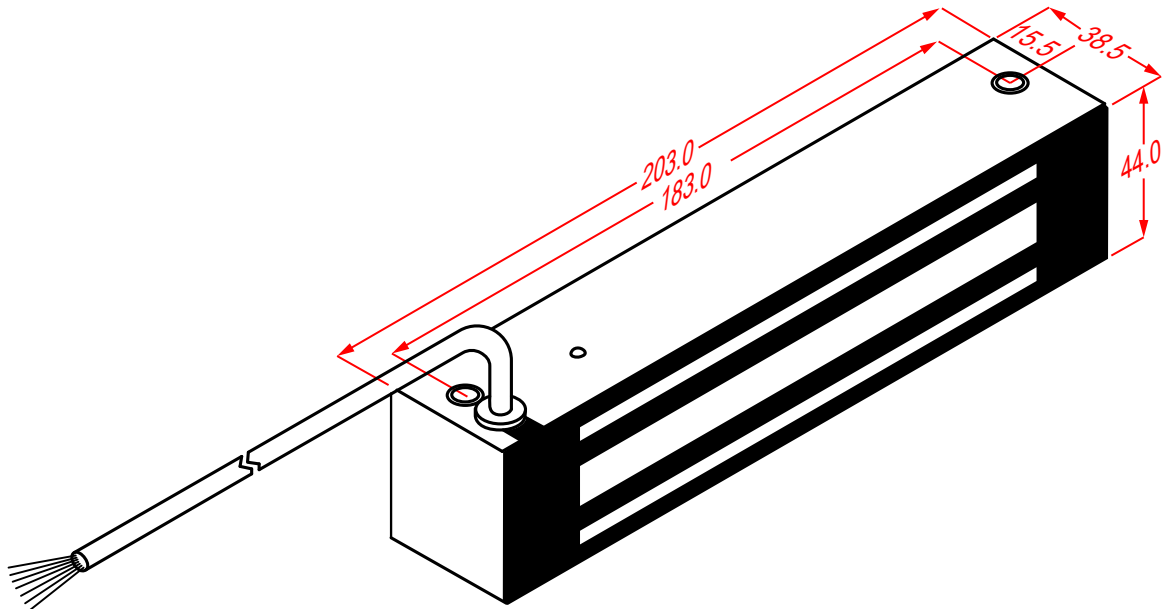


# ELECTRO-MAGNETIC GATE LOCK

## MAGLOC200G (SURFACE MOUNTED)



| 12V | 24V | LOCK STATUS SENSOR(REED SW.)                                 |
|-----|-----|--|
|     |     | <p>BROWN &gt; COM.<br/>YELLOW &gt; NO.<br/>BLUE &gt; NC.</p> |

### WIRING INSTRUCTION : READ CAREFULLY

- (1).FOR 12V : CONNECT THE RED/BLACK WIRES, GREEN/WHITE WIRES & CONNECT TO 12V SOURCE.
- (2).FOR 24V : CONNECT SHORT BLACK/GREEN WIRES AND CONNECT RED/WHITE WIRES TO 24V SOURCE.
- (3).OPTION :LOCK STATUS SENSOR

**NOTE:** (1).VARISTOR(TNR) SHOULD BE PLACED AS DIRECTED.  
(2).BEFORE INSTALLING, ADD THE THREAD LOCKER TO ALL SCREWS.  
FIRMLY TIGHTEN THE SCREWS TO AVOID LOOSENING.