

Wall Mount Bracket

Model: VSBKTB206W

Technical Specifications

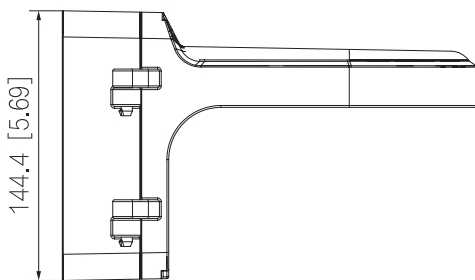
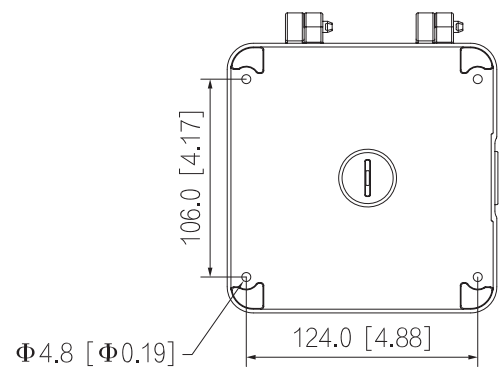
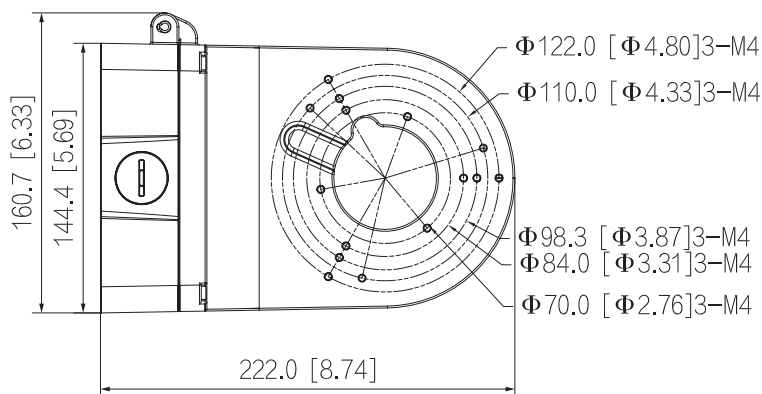
Aluminum wall mount bracket and suitable for mounting a variety of cameras.

Model	VSBKTB206W
Materials	Aluminium
Load Bearing Capacity	3.00kg
Operating Conditions	-40° ~ 60°C / 90% RH (max)
Weather Resistance	IP66 rated
Dimensions	219 x 218 x 275mm
Weight	1.1kg



Product specifications and bracket compatibility are subject to change.

Product Diagrams & Dimensions



Your professional CCTV surveillance dealer: