

Grandstream Networks, Inc.

GHP61x(W)/GHP62x(W) – Administration Guide



The GHP series of hotel phones feature the GHP610(W)/GHP620(W) and the GHP611(W)/GHP621(W), easy-to-use IP phones for any hotel room that can be programmed and customized based on the needs of the hotel and its guests. These devices are equipped with integrated dual-band Wi-Fi (GHP6XX/W).

The features of the GHP series include an HD speaker, 2 SIP accounts/lines, 6 programmable keys (3 programmable keys for GHP61X), 10-speed dial keys, 3-way voice conferencing, full band Opus voice codec, an advanced jitter-resilience algorithm that tolerates up to 30% packet loss without impacting voice quality.

The GHP series is supported by the Grandstream Device Management System (GDMS), which provides a centralized interface to configure, provision, manage and monitor the deployment of Grandstream endpoints.

The GHP series IP phones can be installed on a desktop or wall-mounted and can be powered by PoE (GHP610/GHP611/GHP620/GHP621), power adapter (GHP610W/GHP611W/GHP620W/GHP621W) and USB Type-C charger(GHP620/GHP621/GHP620W/GHP621W).

Its elegant and compact design makes it perfect for not only hotels but also hospitals, apartments, dormitories, and much more.

PRODUCT OVERVIEW

Feature Highlights

 <p>GHP61X/W</p>  <p>GHP62X/W</p>	<ul style="list-style-type: none"> ○ TrimStyle phone, small footprint and fashion design. ○ 2 SIP lines with wideband Opus codec. ○ 6 programmable keys (3 programmable keys for GHP61X) and 10-speed dial keys to customize different services. ○ One 100Mbps network port with PoE (PoE available on GHP610/GHP611/GHP620/GHP621). ○ Integrated dual-band 2.4Ghz & 5Ghz 802.11 a/b/g/n/ac Wi-Fi. ○ Desk/Wall mounted. ○ Tolerate up to 30% packet loss without impacting voice quality. ○ Supports provision and management via GDMS. ○ Customizable faceplate and speed dial label (Speed Dial label for GHP61X only). ○ New voice message and mute LED indicator. ○ HAC/VCH (ADA) compliant handset volume boost. ○ Magnetic Hook Switch feature.
----------------------------------------------------------------------------------------------------------------------------------------------------------------------------------------------------------------------	-----------------------------------------------------------------------------------------------------------------------------------------------------------------------------------------------------------------------------------------------------------------------------------------------------------------------------------------------------------------------------------------------------------------------------------------------------------------------------------------------------------------------------------------------------------------------------------------------------------------------------------------------------------------------------------------------------------------------------------------------------------------------------------------------------------------------------------------------------------------------------

Technical Specification

○ GHP61X

Protocols/Standards	SIP: SIP RFC3261, TCP/IP/UDP, RTP/RTCP, RTCP-XR, Simple, TLS, SRTP.
Network Interface	One Auto-Negotiation 10/100Mbps ethernet port, integrated PoE (Only GHP61X)
Wi-Fi	GHP610W/GHP611W integrated dual-band 2.4Ghz & 5Ghz 802.11 a/b/g/n/ac.

Keypad	<p>23 keys, including:</p> <ul style="list-style-type: none"> - 3 Programmable keys. - 12 standard phone digit keys (0-9: speed dial keys configuration on web page, *,#). - 5 function keys (Flash, Redial, Hands-free, Voice Mail, Hold). - 3 volume control keys, up/down/mute (with red color LED).
HD Audio	One HD handset, support for wide band audio.
Voice Conference	2 SIP accounts and lines, up to 3-way conference.
Voice Codecs	Support for the G.729A/B, G.711µ/a-law, G726, G.722(wide band), G723, iLBC, full band OPUS.
Voice Capabilities	In-band and out-of-band DTMF (in audio, RFC2833, SIP INFO), VAD, AEC, CNG, PLC, AGC, AJB.
Telephony Features	Dial, Answer, Redial, Flash, Hands-free, Voice mail (with the server) Hold/Unhold, Mute/Unmute, flexible dial plan, Speed dial server redundancy, fail-over Call out.
Advanced Features	<p>Support for multicast paging and E911 service.</p> <p>Support for advanced jitter resilience algorithm.</p>
Base Stand	1 wall-mountable base stand, can be put on a desk.
QoS	Layer 2 QoS (802.1Q, 802.1p) and Layer 3 (ToS, DiffServ, MPLS) QoS
Security	Secure boot, random default, unique security certificate per device, administrator level passwords, 256-bit AES encrypted configuration file, SRTP, TLS, 802.1x media access control.

o **GHP62X**

Protocols/Standards	SIP: SIP RFC3261, TCP/IP/UDP, RTP/RTCP, RTCP-XR, Simple, TLS, SRTP.
Network Interface	One Auto-Negotiation 10/100Mbps ethernet port, integrated PoE (Only GHP62X)
Wi-Fi	GHP620W/GHP621W integrated dual-band 2.4Ghz & 5Ghz 802.11 a/b/g/n/ac.
Keypad	<p>26 keys, including:</p> <ul style="list-style-type: none"> - 6 Programmable keys. - 12 standard phone digit keys (0-9: speed dial keys configuration on web page, *,#). - 5 function keys (Flash, Redial, Hands-free, Voice Mail, Hold). - 3 volume control keys, up/down/mute (with red color LED).
HD Audio	One HD handset, support for wide band audio.
Voice Conference	2 SIP accounts and lines, up to 3-way conference.
Voice Codecs	Support for the G.729A/B, G.711µ/a-law, G726, G.722(wide band), G723, iLBC, full band OPUS.
Voice Capabilities	In-band and out-of-band DTMF (in audio, RFC2833, SIP INFO), VAD, AEC, CNG, PLC, AGC, AJB.
Telephony Features	Dial, Answer, Redial, Flash, Hands-free, Voice mail (with the server) Hold/Unhold, Mute/Unmute, flexible dial plan, Speed dial server redundancy, fail-over Call out.
Advanced Features	<p>Support for multicast paging and E911 service.</p> <p>Support for advanced jitter resilience algorithm.</p>

Base Stand	1 wall-mountable base stand, can be put on a desk.
QoS	Layer 2 QoS (802.1Q, 802.1p) and Layer 3 (ToS, DiffServ, MPLS) QoS
Security	Secure boot, random default, unique security certificate per device, administrator level passwords, 256-bit AES encrypted configuration file, SRTP, TLS, 802.1x media access control.

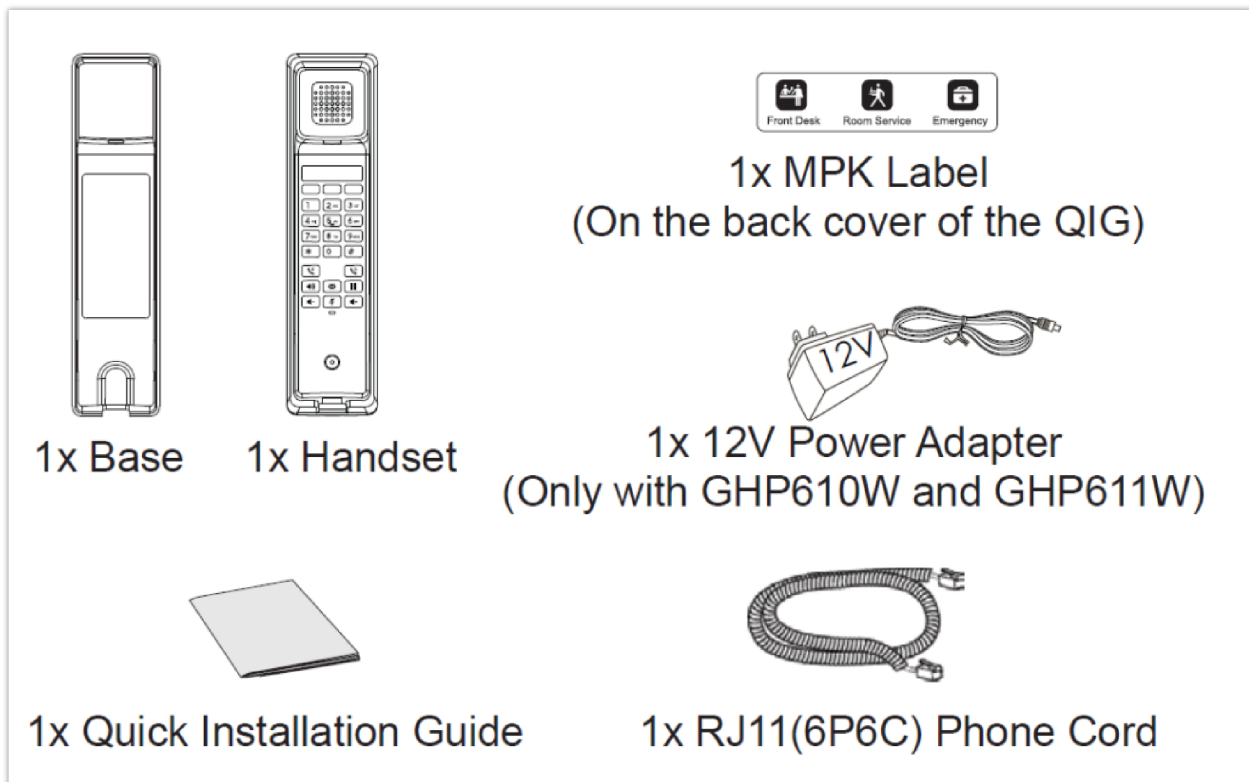
GETTING STARTED

This chapter provides basic installation instructions including the list of the packaging contents and also information for obtaining the best performance with the GHP6XX/W.

Equipment Packaging

GHP61X

GHP61X/W
<ul style="list-style-type: none"> • 1x Base • 1x Handset • 1x RJ11 (6P6C) Phone Cord • 1x Quick Installation Guide • 1x 12V Power Adapter (Only with GHP610W and GHP611W) • 1x MPK Label (On the back cover of the QIG)

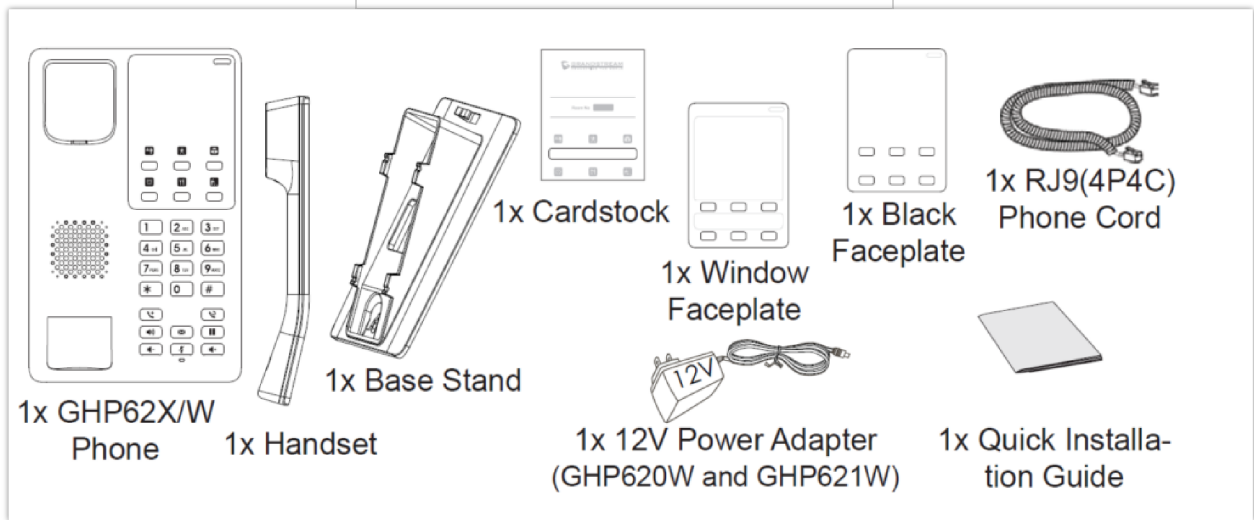


GHP61X Package Content

GHP62X

GHP62X/W
<ul style="list-style-type: none"> • 1 x GHP62X Phone

- 1 x Handset
- 1 x Base Stand
- 1 x Black Faceplate
- 1 x Windows Faceplate
- 1 x Cardstock
- 1 x 12V Power Adapter (GHP620W and GHP621W)
- 1 x RJ9(4P4C) Phone Cord
- 1 x Quick Installation Guide



GHP62X Package Content

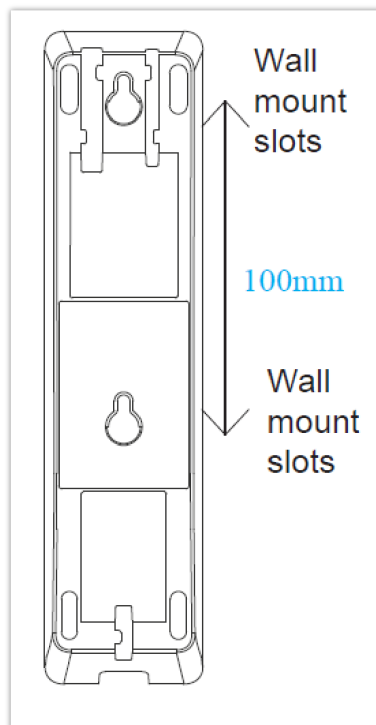
Note

Please check the package before installation. If you find any one of the components missing, please contact your system administrator.

GHP6XX/W Phone Setup

The GHP6XX/W can be installed on the desk or can be mounted on the wall. To mount the phone on the wall please follow the instructions below.

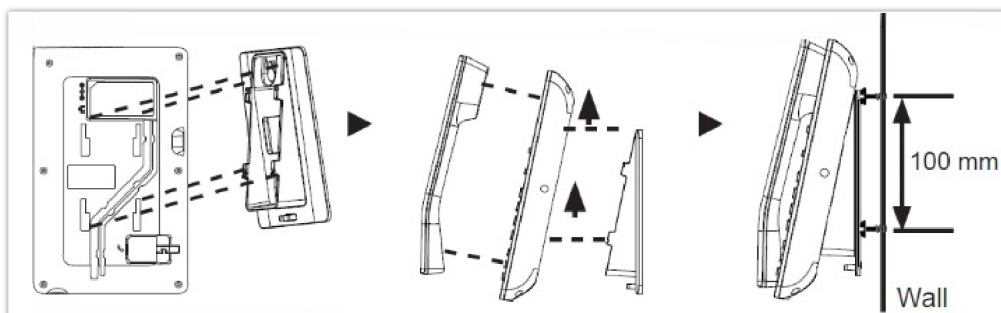
GHP61X/W



GHP61X Wall Mount

- Mark two dots horizontally with a 100 mm distance in between where to wall mount the GHP610/W & GHP611/W.
- Using a drill, make a hole on each marked dot. Put a plastic expansion bolt and screw (not provided) on each hole. Leave enough space to mount the GHP610/W & GHP611/W.
- Mount the GHP610/W & GHP611/W on the screws using the Wall Mount Slots.

GHP62X/W



GHP61X Wall Mount

1. On the wall where the GHP62X/W will be mounted, mark two dots with 100 mm distance in-between vertically.
2. Using a drill, make a hole on each marked dot. Put a plastic expansion bolt and screw (not provided) into each hole. Leave enough space on the screws to mount the GHP62X.
3. Attach the wall mount spacers to the slot for the wall mount spacer on the back of the phones.
4. Mount the GHP62X on the screws using its "Wall Mount Slots".

Connecting the GHP6XX/W

To set up the phone, follow the steps below:

1. Connect the phone cord with the handset (RJ-11 port in GHP61X/W, RJ-9 port in GHP62X/W) and the base.
2. Connect the LAN port of the phone to the RJ-45 socket of a hub/switch on a router (LAN side of the router) using the Ethernet cable. This step can be skipped if using GHP6XXW with Wi-Fi.
3. Powering the phone:
 - For GHP6XXW: Connect the 12V DC output plug into the power jack if the phone; plug the power adapter into the electrical outlet.
 - For GHP6XX: A PoE switch must be used in step 2.

Note

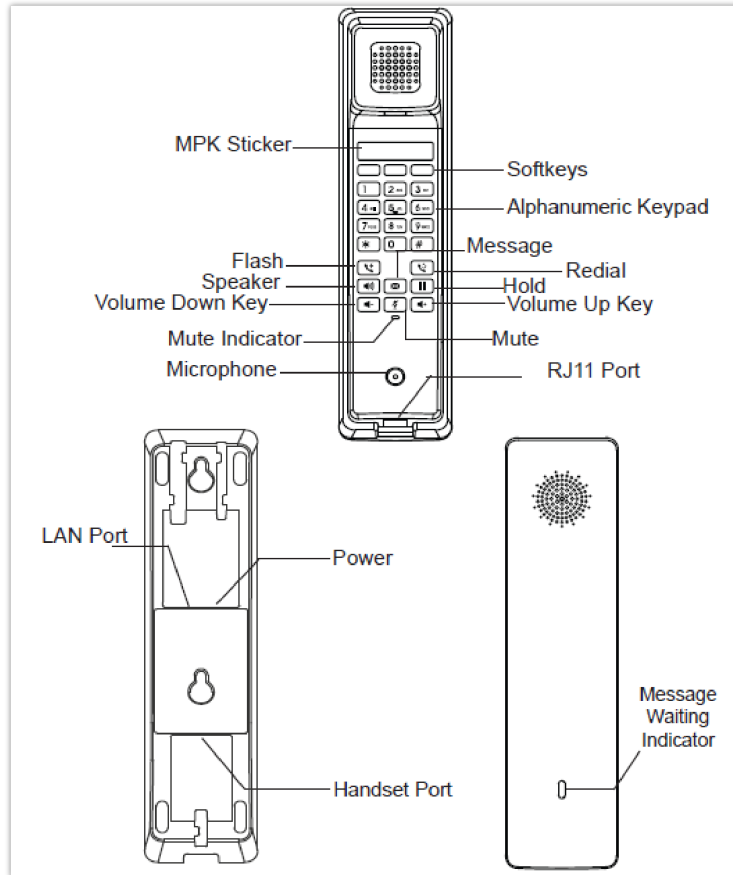
For easy deployment, the GHP6xxW is out-of-the-box pre-configured to connect to default SSID named **wp_master** with a password (WPA/WPA2 PSK) equal to **wp!987@dmIn**, users can adapt these settings from the web UI as well to make it easier for deployment on a customer's site.

Phone Configuration Via Web Browser

1. Ensure your phone is powered up and connected to the internet.
2. Locate the MAC address on the MAC tag of the unit which is on the underside of the device, or on the package.
3. From a computer connected to the same network as the GHP6XX, type in the following address using GHP6XX's MAC address on your browser: **https://<mac>.local**
Example: https://c074adffffff.local
Note: The user can dial ****47#** and the IP address will be read by the IVR.
4. Enter the admin's username and password to access the configuration menu. (The factory default username is "admin" while the default random password can be found on the sticker at the back of the unit).

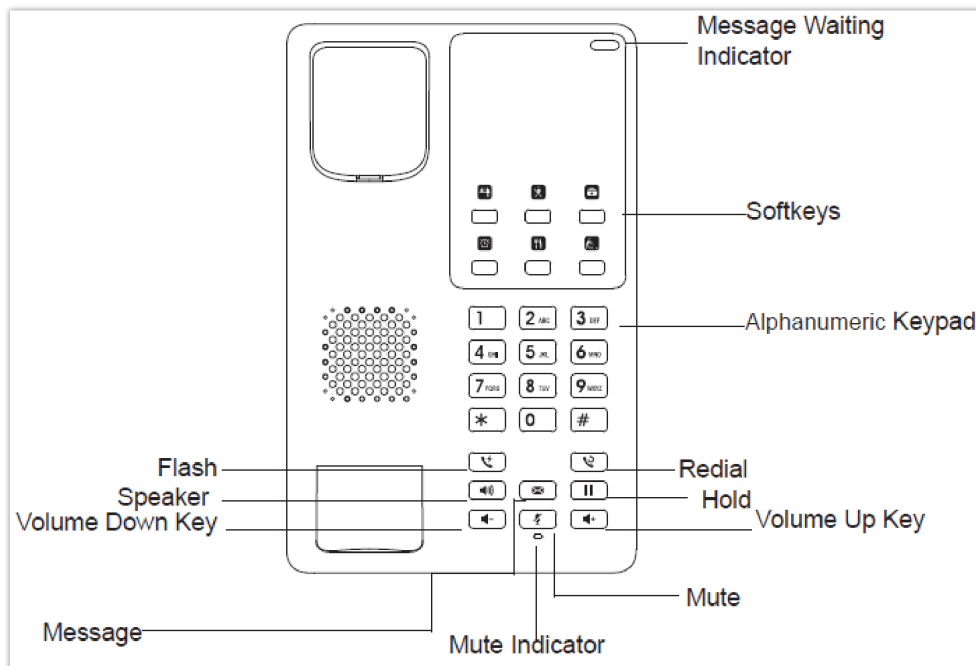
Phone Description

GHP61X

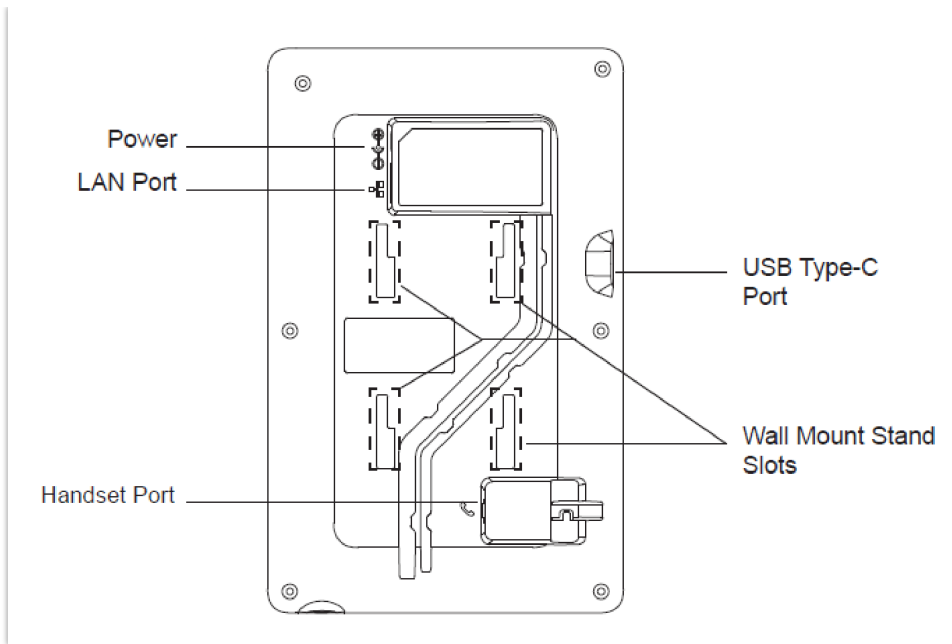


GHP61X Front&Back Panel of the Handset and the Base

GHP62X



GHP62X Front Panel



GHP62X Back Panel

CONFIGURATION GUIDE

Status Page Definitions

Status → Account Status	
Account Status	This interface indicates the information of the accounts which are configured on the IP phone.
Status → Network Status	
Ethernet	
MAC Address	This field indicates the MAC address of the device.
IPv4 Address Type	This field indicated whether the obtained IP address was configured by DHCP or set statically.
IPv4 Address	This field indicates the IP address allocated to the IP phone.
Gateway	This field indicates the default gateway allocated.
IPv4 NAT Type	This field indicates the type of NAT of the network.
IPv6 Address	This field indicates the IPv6 IP address allocated.
Global Unicast Address	This field indicates the global unicast address.
Link-Local Address	This field indicates the IPv6 unicast address.
IPv6 Static Gateway	This field indicates the IPv6 static gateway address.
IPv6 DUID	This field indicates the DHCP unique identifier.

IPv6 NAT Type	This field indicates the IPv6 NAT type.
Wi-Fi (Only for GHP62xW and GHP61xW)	
WLAN MAC Address	This field indicates the WLAN MAC Address.
SSID	This field indicates the SSID that the device is connected to.
Country Code	This field indicates the Country Code.
IPv4 Address Type	This field indicates the IPv4 Address Type, dynamic or static.
IPv4 Address	This field indicates the IPv4 Address.
Gateway	This field indicates the Gateway IP Address.
IPv4 NAT Type	This field indicates the IPv4 NAT Type.
IPv6 Address Type	This field indicates the IPv6 NAT Type.
Global Unicast Address	This field indicates the Global Unicast Address.
Link-Local Address	This field indicates the Link-Local Address, this is an automatically assigned IP address for local network communication without the need for a DHCP server.
IPv6 Static Gateway	This field indicates a manually configured gateway address used for routing traffic on an IPv6 network.
IPv6 DUID	This field indicates the IPv6 DUID, An IPv6 DUID (DHCP Unique Identifier) is a unique identifier assigned to a device by a DHCPv6 server for network configuration and identification purposes.
IPv6 NAT Type	This field indicates the IPv6 NAT Type, IPv6 NAT Type refers to the Network Address Translation (NAT) configuration used for IPv6 connections, which may vary based on the network setup and the type of NAT employed.
DNS & NAT	
DNS Server	Displays the DNS Server and back up DNS server used.
DNS Mode	Displays the DNS Mode used for both accounts.
NAT Traversal	Displays whether NAT Traversal is enabled or not, for both accounts.
Status → System Info	
Information	
Product model	This field indicates the product model.
Part number	This field indicates the part number.
Serial Number	Displays the GHP6xx's Serial Number.
Certificate Type	Displays the certificate type.

Software version	This field indicates the version of the firmware installed.
Language	This field indicates the language used for displaying the web user interface.
Recommended Time Zone	This field indicates the recommended time zone.
System Up Time	This field indicates how long the devices has been turned on.
System Time	This field indicates the time and date set on the system.
System Time Zone	This field indicates the system time zone configured on the device.
Download System Information	This option allows downloading all the the system information.

Account Page Definitions

Basic Settings

Account Register	
Account Active	Indicates whether the account is active. The default setting is "No".
Account Name	The name associated with each account to be displayed on the LCD. (e.g., MyCompany)
SIP Server	The URL or IP address, and port of the SIP server. This is provided by your VoIP service provider (e.g., sip.mycompany.com, or IP address)
Secondary SIP Server	The URL or IP address, and port of the SIP server. This will be used when the primary SIP server fails
Outbound Proxy	IP address or Domain name of the Primary Outbound Proxy, Media Gateway, or Session Border Controller. If a symmetric NAT is detected, STUN will not work and ONLY an Outbound Proxy can provide a solution
Secondary Outbound Proxy	Defines secondary outbound proxy that will be used when the primary proxy cannot be connected.
SIP User ID	User account information, provided by your VoIP service provider.
SIP Authentication ID	SIP service subscriber's Authenticate ID used for authentication. It can be identical to or different from the SIP User ID.
SIP Authentication Password	The account password required for the phone to authenticate with the SIP server before the account can be registered. After it is saved, this will appear as hidden for security purpose.
Name	The SIP server subscriber's name (optional) that will be used for Caller ID display (e.g., John Doe).
TEL URI	If the phone has an assigned PSTN telephone number, this field should be set to "user=phone". A "user=phone" parameter will be attached to the Request-URI and "To" header in the SIP request to indicate the E.164 number. If set to "Enable", "tel:" will be used instead of "sip:" in the SIP request.
Voice Mail Access Number	Allows users to access voice messages by pressing the MESSAGE button on the phone. This value is

	usually the VM portal access number.
Failback Expiration (m)	Specifies the duration (in minutes) since failover to the current SIP server or Outbound Proxy before making failback attempts to the primary SIP server or Outbound Proxy.
Network Settings	
DNS Mode	<p>This parameter controls how the Search Appliance looks up IP addresses for hostnames. If “Use Configured IP” is selected, please fill in Primary IP, Backup IP 1 and Backup IP 2.</p> <ul style="list-style-type: none"> ● A Record ● SRV ● NAPTR/SRV ● Use Configured IP
Maximum Number of SIP Request Retries	Sets the maximum number of retries for the device to send requests to the server. In DNS SRV configuration, if the destination address does not respond, all request messages are resent to the same address according to the configured retry times. Valid range: 1-10.
DNS SRV Failover Mode	<p>Configures the preferred IP mode for DNS SRV. If set to “default”, the first IP from the query result will be applied. If set to “Saved one until DNS TTL”, previous IP will be applied before DNS timeout is reached. If set to “Saved one until no response”, previous IP will be applied even after DNS timeout until it cannot respond.</p> <ul style="list-style-type: none"> ● Default: If the option is set with “default”, it will again try to send register messages to one IP at a time, and the process repeats. ● Saved one until DNS TTL: If the option is set with “Saved one until DNS TTL”, it will send register messages to the previously registered IP first. If no response, it will try to send one at a time for each IP. This behavior lasts if DNS TTL (time-to-live) is up. ● Saved one until no responses: If the option is set with “Saved one until no responses”, it will send registered messages to the previously registered IP first, but this behavior will persist until the registered server does not respond. ● Failback follows failback expiration timer: If "Failback follows failback expiration timer" is selected, the device will send all SIP messages to the current failover SIP server or Outbound Proxy until the failback timer expires.
Failback Expiration (m)	Specifies the duration (in minutes) since failover to the current SIP server or Outbound Proxy before making failback attempts to the primary SIP server or Outbound Proxy.
Register Before DNS SRV Failover	Configures whether to send REGISTER requests to the failover SIP server or Outbound Proxy before sending INVITE requests in the event of a DNS SRV failover.
Primary IP	Configures the primary IP address where the phone sends DNS query to when “Use Configured IP” is selected for DNS mode.
Backup IP 1	Configures the backup IP 1 address where the phone sends DNS query to when “Use Configured IP” is selected for DNS mode.
Backup IP 2	Configures the backup IP 2 address where the phone sends DNS query to when “Use Configured IP” is selected for DNS mode.
NAT Traversal	<p>Set NAT traversal to activate the NAT penetration mechanism.</p> <p>options to be chosen are No, STUN, or Keep-Alive.</p> <ul style="list-style-type: none"> ● When set to "STUN" and the STUN server address is specified, detection will be based on the STUN server. ● When set to "Keep-alive", messages can be configured to be sent at regular intervals, such as every few minutes, and can be customized with specific packet content and timing parameters to optimize performance in different network environments. <p>The Default value is set to "No".</p>

Support rport (RFC3581)	Configures to use symmetric response routing. If it is used, the "rport" field will be added to the Via header field in the SIP Request, and the information will be extracted from the SIP 200OK Response for SIP Register to rewrite the SIP Contact information and apply it in subsequent SIP Requests.
Proxy-Require	A SIP Extension to notify the SIP server that the phone is behind a NAT/Firewall.

SIP Settings

Basic Settings	
SIP Registration	Selects whether the phone will send SIP Register messages to the proxy/server. The default setting is "Enabled".
UNREGISTER on Reboot	<ul style="list-style-type: none"> ● If set to "No", the phone will not unregister the SIP user's registration information before new registration. ● If set to "All", the SIP Contact header will use "*" to clear all SIP user's registration information. ● If set to "Instance", the phone only needs to clear the current SIP user's info.
REGISTER Expiration	Specifies the frequency (in minutes) in which the phone refreshes its registration with the specified registrar. The maximum value is 64800 minutes (about 45 days). The default value is 60 minutes.
SUBSCRIBE Expiration	Specifies the frequency (in minutes) in which the phone refreshes its subscription with the specified registrar. The maximum value is 64800 minutes (about 45 days). The default value is 60 minutes.
Re-Register before Expiration	Specifies the time frequency (in seconds) that the phone sends re-registration request before the Register Expiration. The default value is 0.
Registration Retry Wait Time	Specifies the interval to retry registration if the process is failed. The valid range is 1 to 3600. The default value is 20 seconds.
Add Auth Header on Initial REGISTER	If enabled, the phone will add Authorization header in initial REGISTER request. Default is "Disabled".
Enable OPTIONS Keep Alive	Configures whether to enable SIP OPTIONS to track account registration status. If enabled, the phone will send periodic OPTIONS messages to server to track the connection status with the server. Default is "Disabled".
OPTIONS Keep Alive Interval	Configures the time interval the phone sends OPTIONS message to the server. If set to 30 seconds, it means the phone will send an OPTIONS message to the server every 30 seconds.
OPTIONS Keep Alive Max Tries	Configures the maximum number of times the phone will try to send OPTIONS message consistently to server without receiving a response. If set to "3", the phone will send OPTIONS message 3 times. If no response from the server, the phone will re-register.
SUBSCRIBE for MWI	When set to "Yes", a SUBSCRIBE for Message Waiting Indication will be sent periodically. The default setting is "No".
SUBSCRIBE for Registration	When set to "Yes", a SUBSCRIBE for Registration will be sent out periodically. The default setting is "No".
Use Privacy Header	Configures whether the "Privacy Header" is present in the SIP INVITE message. <ul style="list-style-type: none"> ● Default: the phone will add "Privacy Header" when special feature is not "Huawei IMS". ● Yes: the phone will always add "Privacy Header".

	<ul style="list-style-type: none"> ● No: the phone will not add “Privacy Header”. <p>The default setting is “default”.</p>
Use P-Preferred- Identity Header	<p>Configures whether the “P-Preferred-Identity Header” is present in the SIP INVITE message.</p> <ul style="list-style-type: none"> ● Default: the phone will add “P-Preferred-Identity header” when special feature is not “Huawei IMS”. ● Yes: the phone will always add “P-Preferred-Identity header”. ● No: the phone will not add “P-Preferred-Identity header”.
Use X-Grandstream-PBX Header	<p>Configures to use X-Grandstream-PBX header in SIP request.</p> <p>Default setting is “Yes”.</p>
Use P-Access-Network-Info Header	<p>Configures to use P-Access-Network-Info header in SIP request.</p> <p>Default setting is “Yes”.</p>
Use P-Emergency-Info Header	<p>Configures to use P-Emergency-Info header in SIP request.</p> <p>Default setting is “Yes”.</p>
Use MAC Header	<ul style="list-style-type: none"> ● If Register Only, all outgoing SIP message will include the MAC header. ● If Yes to all SIP, all outgoing SIP messages will include the MAC header. ● If No, the phone’s MAC header will not be included in any outgoing SIP messages. <p>The default setting is “No”.</p>
Add MAC in User-Agent	<ul style="list-style-type: none"> ● If Yes except REGISTER, all outgoing SIP messages will include the phone’s MAC address in the User-Agent header, except for REGISTER and UNREGISTER. ● If Yes to All SIP, all outgoing SIP messages will include the phone’s MAC address in the User-Agent header. ● If No, the phone’s MAC address will not be included in the User-Agent header in any outgoing SIP messages. <p>The default setting is “No”.</p>
SIP Transport	<p>Selects the network protocol used for the SIP transport.</p> <p>The default setting is “UDP”.</p>
Enable TCP Keep-alive	<p>Configures whether to enable TCP Keep-alive for the TCP connection between the terminal and the SIP server.</p>
SIP Listening Mode	<p>Configures whether or not to listen to multiple SIP protocols.</p> <ul style="list-style-type: none"> ● If set to “Dual”, phone will listen to TCP when UDP is selected. ● If set to “Dual (Secured)”, phone will listen to TLS/TCP when UDP is selected. If “TCP” or “TLS/TCP” is selected, UDP will be listened too. ● If set to “Dual (BLF Enforced)”, phone will try to enforce BLF subscriptions to use TCP protocol by adding ‘transport=tcp’ to the Contact header. <p>The default setting is “Transport Only”.</p>
Local SIP Port	<p>Configures the local SIP port used to listen and transmit.</p>
SIP URI Scheme when using TLS	<p>Specifies if “sip” or “sips” will be used when TLS/TCP is selected for SIP Transport. The default setting is “sips”.</p>
Use Actual Ephemeral Port in Contact with TCP/TLS	<p>Configures whether the actual ephemeral port in contact with TCP/TLS will be used when TLS/TCP is selected for SIP Transport.</p> <p>The default setting is “No”.</p>
Support SIP Instance ID	<p>Configures whether SIP Instance ID is supported or not.</p>

	The default setting is “Yes”.
SIP T1 Timeout	SIP T1 Timeout is an estimate of the round-trip time of transactions between a client and server. If no response is received the timeout is increased and request re-transmit retries would continue until a maximum amount of time define by T2. The default setting is 0.5 seconds.
SIP T2 Timeout	SIP T2 Timeout is the maximum retransmit time of any SIP request messages (excluding the INVITE message). The re-transmitting and doubling of T1 continues until it reaches the T2 value. Default is 4 seconds.
Outbound Proxy Mode	Configures whether to put the Outbound Proxy in the Route header, or if SIP messages should always be sent to Outbound Proxy. <ol style="list-style-type: none"> 1. In route 2. Not in route 3. Always send to Default is “in route”.
Enable 100rel	When enabled, the 100rel tag is appended to the value of the Supported header of the initial signaling messages. The default setting is “No”.
Use Route Set in Notify (Follow RFC 6665)	Configures whether to use route set in NOTIFY (follow RFC 6665). <ul style="list-style-type: none"> ● If enabled, the Request URI of the refresh subscription will use the URI in the received NOTIFY Contact (RFC 6665). ● If disabled, the URI in the previously subscribed 200 OK Contact will be used.
Session Timer	
Enable Session Timer	Configures whether to enable session timer function. It enables SIP sessions to be periodically “refreshed” via a SIP request (UPDATE, or re-INVITE). If there is no refresh via an UPDATE or re-INVITE message, the session will be terminated once the session interval expires. If set to “Yes”, the phone will use the related parameters when sending session timer according to “Session Expiration”. If set to “No”, session timer will be disabled. The default setting is “No”.
Session Expiration	Session Expiration is the time (in seconds) where the session is considered timed out, provided no successful session refresh transaction occurs beforehand. The default setting is 180. The valid range is from 90 to 64800.
Min-SE	The minimum session expiration (in seconds). The default value is 90 seconds. The valid range is from 90 to 64800.
Caller Request Timer	If set to “Yes” and the remote party supports session timers, the phone will use a session timer when it makes outbound calls. The default setting is “No”.
Callee Request Timer	If set to “Yes” and the remote party supports session timers, the phone will use a session timer when it receives inbound calls. The default setting is “No”.
Force Timer	If set to “Yes”, the phone will use the Session Timer even if the remote party does not support this feature. Otherwise, Session Timer is enabled only when the remote party supports it. The default setting is “No”.
UAC Specify Refresher	As a caller, select UAC to use the phone as the refresher, or select UAS to use the callee or proxy server as the refresher. When set to “Omit”, the refresh object is not specified. The default setting is “UAC”.

UAS Specify Refresher	As a callee, select UAC to use caller or proxy server as the refresher, or select UAS to use the phone as the refresher. The default setting is “UAC”.
Force INVITE	Select “Yes” to force using the INVITE method to refresh the session timer. The default setting is “No”.

Codec Settings

Audio	
Preferred Vocoder (Choice 1 – 8)	Multiple vocoder types are supported on the phone, the vocoders in the list is a higher preference. Users can configure vocoders in a preference list that is included with the same preference order in SDP message. <ul style="list-style-type: none"> ● Opus ● G722 ● PCMU ● PCMA ● G.723.1 ● G.729.1 ● iLBC ● G.726-32
Codec Negotiation Priority	Configures the phone to use which codec sequence to negotiate as the callee. When set to “Caller”, the phone negotiates by SDP codec sequence from received SIP Invite. When set to “Callee”, the phone negotiates by audio codec sequence on the phone. The default setting is “Callee”.
Use First Matching Vocoder in 200OK SDP	When set to “Yes”, the device will use the first matching vocoder in the received 200OK SDP as the codec. The default setting is “No”.
iLBC Frame Size	Selects iLBC packet frame size. Users can choose from 20ms and 30ms. The default setting is “30ms”.
iLBC Payload Type	Specifies iLBC payload type. Valid range is 96 to 127. Cannot be the same as Opus or DTMF payload type. Valid range is 96 to 127. The default setting is “97”.
G.726-32 Packing Mode	Selects “ITU” or “IETF” for G726-32 packing mode. The default setting is “ITU”.
G.726-32 Dynamic Payload Type	Specifies G.726-32 payload type. Valid range is 96 to 127. Default is 127.
Opus Payload Type	Specifies Opus payload type. Valid range is 96 to 127. It cannot be the same as iLBC or DTMF Payload Type. Default value is 123.
Send DTMF	Specifies the mechanism to transmit DTMF digits. There are 3 supported modes: <ol style="list-style-type: none"> 1. In audio: DTMF is combined in the audio signal (not very reliable with low-bit-rate codecs). 2. RFC2833 sends DTMF with RTP packet. Users can check the RTP packet to see the DTMFs sent as well as the number pressed. 3. SIP INFO uses SIP INFO to carry DTMF. Default setting is “RFC2833”.
DTMF Payload Type	Configures the payload type for DTMF using RFC2833. Cannot be the same as iLBC or OPUS payload type.
Enable Audio RED with FEC	If set to “Yes”, FEC will be enabled for audio call.

	If set to "Yes", FEC will be enabled for audio call.
Silence Suppression	If set to "Yes", when silence is detected, a small quantity of VAD packets (instead of audio packets) will be sent during the period of no talking. For codec G.723 and G.729 only. Default setting is "No".
Jitter Buffer Type	Selects either Fixed or Adaptive for jitter buffer type, based on network conditions. The default setting is "Adaptive".
Jitter Buffer Length	Selects jitter buffer length from 100ms to 800ms, based on network conditions. The default setting is "300ms".
Voice Frames Per TX	Configures the number of voice frames transmitted per packet. It is recommended that the IS limit value of Ethernet packet is 1500 bytes or 120 kbps. When configuring this, it should be noted that the "ptime" value for the SDP will change with different configurations here. This value is related to the codec used in the codec table or negotiate the payload type during the actual call. For example, if set to 2 and the first code is G.729, G.711 or G.726, the "ptime" value in the SDP datagram of the INVITE request is 20 ms. If the "Voice Frame/TX" setting exceeds the maximum allowed value, the phone will use and save the maximum allowed value for the selected first codec. It is recommended to use the default setting provided, and incorrect setting may affect voice quality. The default setting is 2.
G.723 Rate	Selects encoding rate for G723 codec.
RTP Settings	
SRTP Mode	Enable SRTP mode based on your selection from the drop-down menu. <ul style="list-style-type: none"> ● No ● Enabled but Not forced ● Enabled and Forced ● Optional The default setting is "No".
SRTP Key Length	Allows users to specify the length of the SRTP calls. Available options are: <ul style="list-style-type: none"> ● AES 128&256 bit ● AES 128 bit ● AES 256 bit Default setting is AES 128&256 bit
Crypto Life Time	Enable or disable the crypto lifetime when using SRTP. If users set to disable this option, phone does not add the crypto lifetime to SRTP header. The default setting is "Yes".
RTCP Mode	Configure RTCP port negotiation rules. <ul style="list-style-type: none"> ● Default: Use the traditional RTCP port, which is "RTP port+1". ● Negotiate RTCP Port: Use attribute RTCP to negotiate. ● RTCP Mux: The caller actively negotiates the RTCP port and indicates RTCP Mux at the same time. ● RTCP Mux Only: The caller forces RTCP Mux, generated by the local media port only apply for RTP port.
RTCP Keep-Alive Method	Configures the RTCP channel keep-alive packet type. <ul style="list-style-type: none"> ● Receiver Report: The RTCP channel will sends "receiver report+source description+RTCP extension" as keep-alive data. ● Sender Report: The RTCP channel will sends "Sender report+source description+ RTCP extension" as keep-alive data.

RTP Keep-Alive Method	Configures the RTP channel keep-alive packet type. <ul style="list-style-type: none"> ● No: No data will be sent ● RTP Version 1: The wrong version infor "1" will be carried when sending RTP data packets.
Symmetric RTP	Configures whether Symmetric RTP is used or not. Symmetric RTP means that the UA uses the same socket/port for sending and receiving the RTP stream. The default setting is "No".
RTP Timeout (s)	Configures the RTP timeout of the phone. If the phone does not receive the RTP packet within the specified RTP time, the call will be automatically disconnected. The default range is 0 and 6-600. If set to 0, the phone will not hang up the call automatically.

Account Call Settings

General	
Key as Send	Pressing the selected key will immediately dial out.
No Key Entry Timeout	Configures the timeout (in seconds) for no key entry. If no key has been pressed after the timeout, the collected digits will be sent out.
Send Anonymous	If set to "Yes", the "From" header in outgoing INVITE messages will be set to anonymous.
Anonymous Call Rejection	If set to "Yes", anonymous calls will be rejected.
Enable Call Waiting	Enables the call waiting feature. If set to "No", new incoming calls will be rejected after the call is established.
RFC2543 Hold	If set to "Yes", c=0.0.0.0 will be used in INVITE SDP for hold.
Ring Timeout	Configures the timeoput (in seconds) for the phone to ring when an incoming call is not answered. Valid range is 30 to 3600.
Auto Answer	
Auto Answer	If set to "Yes", the phone will automatically turn on the speaker phone to answer incoming calls after a short reminding beep. Default setting is "No".
Auto Answer Numbers	Allows the user to configure specific numbers to auto answer. If not set, all numbers will be auto answered If auto answer is enabled. Up to 10 numbers can be configured.
Intercom	
Play warning tone for Auto-Answer Intercom	If enabled, phone will play warning tone when auto answering intercom.
Custom Alert-Info for Auto Answer	Used exclusively to match the contents of the Alert-Info header for auto answer. The default auto answer headers will not be matched if this is defined.
Allow Auto Answer by Call-Info/Alert-Info	If set to "Yes", the phone will automatically turn on the speaker phone to answer incoming calls after a short reminding beep, based on the SIP Call-Info/Alert-Info header sent from the server/proxy. Default is "Yes".
Allow Barging by Call-Info/Alert-Info	When enabled, the phone will automatically put the current call on hold and answer the incoming call based on the SIP Call-Info/Alert-Info header sent from the server/proxy. However, if the current call

	was answered based on the SIP Call-Info/Alert-Info header, then all other incoming calls with SIP Call-Info/Alert-Info headers will be rejected automatically. Default setting is “No”.
Mute on Intercom Answer	If enabled, the phone will mute the microphone after answering an intercom call via Call-Info/Alert-Info.
Transfer	
Transfer on Conference Hangup	Configures whether the call is transferred to the other party if the conference initiator hangs up.
Enable Local Call Features	When enabled, the phone will use the local call function, dial *87 plus number to use local blind forwarding; When disable, the server-side call function code will be used. Enabled by Default.
Enable Recovery on Blind Transfer	Enable Recovery to the call to the transferee on failing blind transfer to the target.
Blind Transfer Wait Timeout	Configures the timeout (in seconds) when waiting for sipfrag response in blind transfer. Valid range is 30 to 300
Refer-To Use Target Contact	If enabled, the "Refer-to" header uses the transferred target's Contact header information for attended transfer.
Dial plan	
Dial Plan Prefix	Configures a prefix added to all numbers when making outbound calls.
Bypass Dial Plan	<p>Bypass the dial plan when dialing from one of the available items:</p> <ul style="list-style-type: none"> • Contacts • Call History Incoming Call • Call History Outgoing Call • Dialing Page • MPK • API
Dial Plan	<p>Configures the dial plan rule. For syntax and examples, please refer to user manual for more details. Dial Plan Rules:</p> <ol style="list-style-type: none"> 1. Accepted Digits: 1,2,3,4,5,6,7,8,9,0, *, #, A,a,B,b,C,c,D,d; 2. Grammar: x – any digit from 0-9; 3. Grammar: X – any character from 0-9, a-z, A-Z. 4. xx+ – at least 2 digit numbers 5. xx – only 2 digit numbers 6. XX – two characters (AA, Ab, 1C, f5, 68,...) 7. test : only string “test” will pass the dial plan check 8. ^ – exclude 9. [3-5] – any digit of 3, 4, or 5 10. [147] – any digit of 1, 4, or 7 11. <2=011> – replace digit 2 with 011 when dialing 12. – the OR operand <ul style="list-style-type: none"> • Example 1: {[369]11 1617xxxxxxx} <p>Allow 311, 611, and 911 or any 11 digit numbers with leading digits 1617;</p> <ul style="list-style-type: none"> • Example 2: {^1900x+ <=1617>xxxxxxx} <p>Block any number of leading digits 1900 or add prefix 1617 for any dialed 7 digit numbers;</p> <ul style="list-style-type: none"> • Example 3: {1xxx[2-9]xxxxxx <2=011>x+}

	<p>Allows any number with leading digit 1 followed by a 3-digit number, followed by any number between 2 and 9, followed by any 7-digit number OR Allows any length of numbers with leading digit 2, replacing the 2 with 011 when dialed.</p> <ul style="list-style-type: none"> ● Example of a simple dial plan used in a Home/Office in the US: { ^1900x. <=1617>[2-9]xxxxxx 1[2-9]xx[2-9]xxxxxx 011[2-9]x. [3469]11 } <p>Explanation of example rule (reading from left to right):</p> <ul style="list-style-type: none"> ● ^1900x. – prevents dialing any number started with 1900; ● <=1617>[2-9]xxxxxx – allows dialing to local area code (617) numbers by dialing 7 numbers and 1617 area code will be added automatically; ● 1[2-9]xx[2-9]xxxxxx - allows dialing to any US/Canada Number with 11 digits length; ● 011[2-9]x – allows international calls starting with 011; ● [3469]11 – allows dialing special and emergency numbers 311, 411, 611 and 911. <p>Note: In some cases, where the user wishes to dial strings such as *123 to activate voice mail or other applications provided by their service provider, the * should be predefined inside the dial plan feature. An example dial plan will be: { *x+ } which allows the user to dial * followed by any length of numbers.</p> <p>Max length of dial plan is up to 1024 characters.</p>
Ringtone	
Account Ring Tone	Allows users to configure the ringtone for the account. Users can choose from different ringtones from the dropdown menu.
Ignore Alert-Info header	Configures to play default ringtone by ignoring Alert-Info header. The default setting is “No”.
Match Incoming Caller ID	<p>Specifies matching rules with number, pattern, or Alert Info text (up to 10 matching rules). When the incoming caller ID or Alert Info matches the rule, the phone will ring with selected distinctive ringtone. Matching rules:</p> <ul style="list-style-type: none"> ● Specific caller ID number. For example, 8321123. ● A defined pattern with certain length using x and + to specify, where x could be any digit from 0 to 9. Samples: <p>xx+ : at least 2-digit number. xx : only 2-digit number. [345]xx: 3-digit number with the leading digit of 3, 4 or 5. [6-9]xx: 3-digit number with the leading digit from 6 to 9.</p> <ul style="list-style-type: none"> ● Alert Info text <p>Users could configure the matching rule as certain text (e.g., priority) and select the custom ring tone mapped to it. The custom ring tone will be used if the phone receives SIP INVITE with Alert-Info header in the following format: Alert-Info: <http://127.0.0.1>; info=priority</p> <p>Selects the distinctive ring tone for the matching rule. When the incoming caller ID or Alert Info matches one of the 10 rules, the phone will ring with the associated ringtone.</p>

Account Advanced Settings

Security Settings	
Check Domain Certificates	Configures whether the domain certificates will be checked when TLS/TCP is used for SIP Transport. The default setting is “No”.
Validate Certificate Chain	Validate certification chain when TCP/TLS is configured. The default setting is “No”.
Validate Incoming SIP Messages	Specifies if the phone will check the incoming SIP messages Caller ID and CSeq headers. If the message does not include the headers, it will be rejected. The default setting is “No”.

Allow Unsolicited REFER	<p>Configures whether to dial the number carried by Refer-to header after receiving out-of-dialog SIP REFER request actively.</p> <p>If set to “Disabled“, the phone will send error warning and stop dialing.</p> <p>If set to “Enabled/Force Auth“, the phone will dial the number after sending authentication. If the authentication fails, it will stop dialing.</p> <p>If set to “Enabled“, the phone will dial all numbers carried by SIP REFER.</p>
Accept Incoming SIP from Proxy Only	<p>When set to “Yes“, the SIP address of the Request URL in the incoming SIP message will be checked. If it does not match the SIP server address of the account, the call will be rejected. The default setting is “No”.</p>
Check SIP User ID for Incoming INVITE	<p>If set to “Yes“, SIP User ID will be checked in the Request URI of the incoming INVITE. If it does not match the phone’s SIP User ID, the call will be rejected. The default setting is “No”.</p>
Allow SIP Reset	<p>Allow SIP Notification message to perform factory reset.</p> <p>The default setting is “No”.</p>
Authenticate Incoming INVITE	<p>If set to “Yes“, the phone will challenge the incoming INVITE for authentication with SIP 401 Unauthorized response.</p> <p>The default setting is “No”.</p>
MOH (Music on Hold)	
On Hold Reminder Tone	<p>Configures to play reminder tone when the call is on hold.</p>
Music On Hold URI	<p>Music On Hold URI to call when a call is on hold if server supports it.</p>
Special Feature	<p>Specifies the server type for special requirements.</p>

Phone Settings Page Definition

Basic Settings

Local RTP Port	<p>Configures the local RTP port used to listen and transmit. The valid range is 1024 to 65400 and it must be even.</p>
Local RTP Port Range	<p>Configures the range of local RTP port. Valid value is from 24 to 10000.</p>
Use Random Port	<p>If set to "Yes", the parameter will force random generation of both the local SIP and RTP ports. This is usually necessary when multiple phones are behind the same full cone NAT. This parameter must be set to "No" for incoming direct IP calls (outgoing IP calls are not affected).</p>
Keep-Alive Interval	<p>Specifies how often the phone sends a blank UDP packet to the SIP server in order to keep "ping hole" on the NAT router to open.</p>
STUN Server	<p>This option sets IP address or Domain name of the STUN server. Only non-symmetric NAT routers work with STUN.</p>
Use NAT IP	<p>Configures the NAT IP address used in SIP/SDP messages. It should ONLY be used if required by your ITSP.</p>
Delay Registration	<p>Configures the specific time that the account will be registered after booting up.</p>
Enable Outbound Notification	<p>Configures whether to enable outbound notifications such as Action URL.</p>

Call Settings

General	
Preferred Default Account	Select the preferred default account for on-hook or off-hook dialing. when the selected account is unavailable, system will use the first available account to dial out.
Mute Key Functions While Idle	If set to "Idle Mute", clicking the MUTE key while idle will cause the phone to be muted automatically when answering incoming calls.
Do Not Escape '#' as %23 in SIP URI	Replaces # by %23 for some special situations.
User-Agent Prefix	Configures the prefix in the User-Agent header
Outgoing	
Enable Direct IP Call	Enables Direct IP Call feature.
Onhook Dial Barging	When the option is set to "Disabled", onhook dialing won't be interrupted by an incoming call.
Off-hook Auto Dial	Configures the digits to be dialed via the first account when the phone is off-hook.
Off-hook Auto Dial Delay	Configures the timeout (in seconds) for off-hook auto dial. Valid range is 0-10. If set to 0, it will be dialed out immediately. Otherwise, it will be dialed out after the configured timeout.
Off-hook/On-hook Timeout (s)	If configured, when the phone is in the off-hook or on-hook, dialing state, it will go idle after the timeout (in seconds). Valid range is 10 to 60.
Redial Expiration (min)	Sets a timeout in minutes for the redial key, after which the previous callout trace will be cleared and the redial key will be invalid. If set to 0, the previous callout trace will not be removed permanently unless the device is turned off. Note: This configuration item also affects the call return soft key timeout in MPK. The default value is set to 30mins.
Incoming	
Allow Incoming Call before Ringing	This allows incoming calls after dialed but before ringing. This can be used under custom user configuration based on need.
Enable Call Waiting	Enables the call waiting feature. If set to "No", new incoming calls will be rejected after the call is established.
Enable Call Waiting Tone	Enables Call Waiting alert tone when another incoming call is received while a call is in progress.
Auto Answer Delay	Configures the delay for automatically answering the incoming call. Valid range is 0 to 10 (seconds).
In Call	
Enable Auto Unmute	If the option is enabled, automatically unmute phone when a user unholds the call or establishes a new call.

Enable Busy Tone on Remote Disconnect	Playing busy tone when call is disconnected remotely.
Enable Mute Key In Call	When set to "No", the mute key will not work while on call.
Transfer	
Enable Transfer	Enables Call Transfer feature.
Hold Call Before Completing Transfer	When set to "No", the phone will not hold the current call or the transfer target for an Attended Transfer.
Conference	
Enable Conference	Enables the Conference feature.

Ringtone

This section is used to customize ringtones for each specific phone feature

Call Progress Tones	ON is the period of ringing ("On time" in "ms") While OFF is the period of silence. Up to three cadences are supported.
System Ringtone	
Dial Tone	
Second Dial Tone	
Message Waiting	
Ring Back Tone	
Call Waiting Tone	
Call Waiting Tone Gain	
Busy Tone	
Reorder Tone	

Multicast Paging

Paging Barging	During an active call if incoming multicast page has higher priority (1 being the highest) than this value, the call will be held and multicast page will be played.
Paging Priority Active	If enabled, during a multicast page if another multicast is received with higher priority (1 being the highest) that one will be played instead.
Multicast Channel Number	Multicast channel number (0-50). 0 for normal RTP packets, 1-50 for Polycom multicast format packets.
Multicast Listening	Multicast listening

Network Settings

Ethernet Settings

Internet Protocol	Select Prefer IPv4 or Prefer IPv6
IPv4 Address	
IPv4 Address	The IPv4 address obtained by the phone. Note: If you attempt to set a new IP address with an incorrect format, an error message indicating that the format is invalid will be displayed.
Host name (Option 12)	Specifies the name of the client. This field is optional but may be required by Internet Service Providers.
Vendor Class ID (Option 60)	Used by clients and servers to exchange vendor class ID.
DNS Server 1	Enter DNS Server 1 when static IP is used.
DNS Server 2	Enter DNS Server 2 when static IP is used.
Preferred DNS Server	Enter the Preferred DNS Server.
IPv6 Address	
IPv6 Address	The IPv6 address obtained by the phone.
DNS Server 1	Enter DNS Server 1 when static IP is used.
DNS Server 2	Enter DNS Server 2 when static IP is used.
Preferred DNS Server	Enter the preferred DNS server.

Advanced Settings

Advanced Network Settings	
DNS Refresh Timer (m)	Configures the refresh time (in minutes) for DNS query. If set to "0", the phone will use the DNS query TTL from DNS server response.
DNS Failure Cache Duration (m)	Configures the duration (in minutes) of previous DNS query fails. If set to "0", the feature will be disabled. Note: Only valid for SIP registration.
Enable LLDP	Controls the LLDP (Link Layer Discovery Protocol) service.
LLDP TX Interval	Configures LLDP TX Interval (in seconds). Valid range is 1 to 3600.
Enable CDP	If enabled, the device will use the Cisco Discovery Protocol feature.
Layer 3 QoS for SIP	Configures the layer 3 QoS parameter for SIP. This value is used for IP Precedence, DiffServ,

	or MPLS.
Layer 3 QoS for RTP	Configures the layer 3 QoS parameter for RTP. This value is used for IP Precedence, DiffServ, or MPLS.
Enable DHCP VLAN	Configures to enable or disable auto-configure for VLAN settings via DHCP.
Enable Manual VLAN Configuration	Allow phone to keep the VLAN configuration without applying them.
Layer 2 QoS 802.1Q/VLAN Tag	Assigns the VLAN Tag of the Layer 2 QoS packets.
Layer 2 QoS 802.1p Priority Value	Assigns the priority value of the Layer 2 QoS packets. Valid range is 0 to 7
Maximum Transmission Unit (MTU)	Configures the MTU in bytes
Remote Control	
Action URI Support	Configures whether to enable phone to handle action URI request.
Action URI Allowed IP List	List of allowed IP addresses from which the phone receives the action URI.
CSTA Control SaveSave and ApplyReset	Configures whether to enable the CSTA Control feature.

Wi-Fi Settings (Only GHP6x0W and GHP6x1W)

Wi-Fi Function	This parameter enables/disables the Wi-Fi function.
Wi-Fi Band	Set the type of Wi-Fi band.
Country Code	Configures Wi-Fi Country Code
Available Wi-Fi	Available Wi-Fi

Programmable Keys

Multi-Purpose Keys

The admin can customize the multi-purpose keys functionality by accessing the web GUI **Programmable Keys → Multi-Purpose Keys**. The phone will generate a multi-purpose keys label based on the customization made by the administrator, which he/she can print and stick on the front side of the phone.

GHP61X

GHP611W Multi-Purpose Keys

- Status
- Account
- Phone Settings
- Network Settings
- Programmable Keys
 - Multi-Purpose Keys**
 - Speed Dial
 - System Settings
 - Maintenance
 - Application

English

DTMF

Account 1

* Value (User ID)

Restaurant

Speed Dial

Account 1

* Value (User ID)

RoomService

GDS OpenDoor

Account 1

* Value (User ID)

RoomService

Preview

After saving, you can print the card style in the preview

Restaurant

RoomService

RoomService

Print

Save
Reset

Multi-Purpose Keys Configuration

GHP62X

GHP620W Multi-Purpose Keys

- Status
- Account
- Phone Settings
- Network Settings
- Programmable Keys
 - Multi-Purpose Keys**
 - Speed Dial
 - System Settings
 - Maintenance
 - Application

English

Speed Dial

Account 1

* 1009

Front Desk

GDS OpenDoor

Account 1

* 1011

Open Door

DTMF

Account 1

* *47#

Wake Up

DTMF

Account 1

* Value (User ID)

Emergency

Speed Dial

Account 1

* Value (User ID)

Restaurant

Speed Dial

Account 1

* Value (User ID)

Wake Up

Preview

Front Desk

Open Door

Wake Up

Emergency

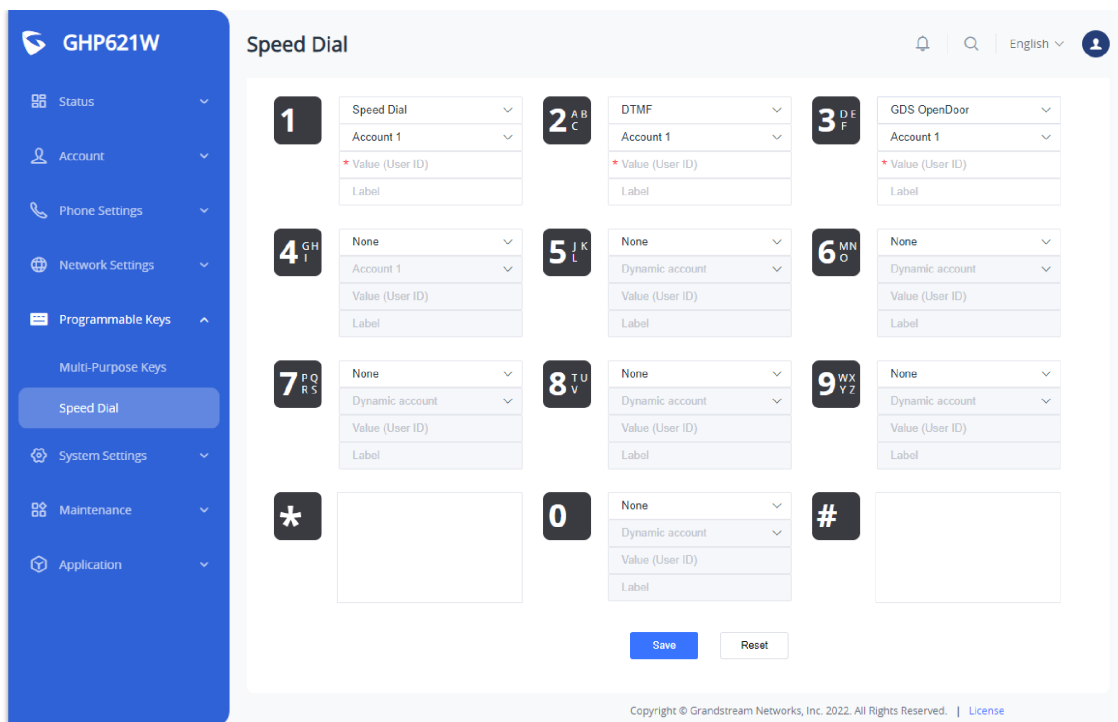
Restaurant

Wake Up

Save
Reset

Copyright © Grandstream Networks, Inc. 2022. All Rights Reserved. | [License](#)

Speed Dial



Speed Dial Configuration

System Settings

Time

Date and Time	
NTP Server	Configures the URL or IP address of the NTP server. The phone may obtain the date and time from the server.
Secondary NTP Server	Configures the URL or IP address of the NTP server. The phone may obtain the date and time from the server.
Enable Authenticated NTP	Configures whether to enable NTP authentication. If enabled, a cryptographic signature is appended to each network packet. If the key is incorrectly configured, the phone will refuse to use the time provided by the NTP server.
NTP Update Interval	Configures interval for updating time from the NTP server. The valid value is between 5 and 1440 minutes.
Allow DHCP Option 42 to Override NTP Server	When enabled, DHCP Option 42 will override the NTP server if it is set up on the LAN.
Time Zone	Configures the date/time used on the phone according to the specified time zone.
Allow DHCP Option 2 to Override Time Zone Settings	Allows device to get provisioned for Time Zone from DHCP option 2 in the local server
Self-Defined Time Zone	This parameter allows the users to specify their own time zone. For syntax and examples please refer to user manual.

Security Settings

Web/SSH Access

SSH is often used to "log in" and perform operations on remote computers but it may also be used for transferring data.

Parameter	Description
SSH Access	
Enable SSH	If set to "Yes", the phone will allow any SSH access to the phone.
SSH Public Key	If enabled, the phone will use public key authentication as an alternative option to password authentication.
Web Access	
HTTP Web Port	Configures the HTTP port under the HTTP web access mode.
HTTPS Web Port	Configures the HTTPS port under the HTTPS web access mode.
Web Access Mode	Sets the protocol for the web interface.
Web Access Control	Restrict web access by using Whitelist or Blacklist on the incoming IP addresses. If set to "None", the web access is unrestricted.
Web Session Timeout	Configures the timer to log out of the web session when idle. Default is 10 minutes. Range is 2-60 minutes.
Validate Server Certificates	Configures whether to validate the server certificate when downloading the firmware/config file. If set to "Yes", the phone will download the firmware /config file only after the server is validated.
Web/Restrict mode Lockout Duration	Specifies the time in minutes that the web login interface will be locked out to the user after five login failures. This lockout time is used for web login. The range is 0-60 minutes.
Web Access Attempt Limit	Configures the number of failed web access attempts allowed before lockout. Default is 5. Range is 1-10.

User Info Management

Parameter	Description
Test Password Strength	Checks password strength to ensure better security
Admin Password	
Current Password	The current admin password is required to set a new admin password.
New Password	Set new password for web GUI access as Admin. This field is case sensitive.
Confirm Password	Enter the new Admin password again to confirm.
IVR	
Keypad Password	Configure the keypad password used in the IVR.
Enable IVR	If enabled, IVR is available. If disabled, enable configuration item "Enable Basic Settings in IVR" cannot take effect.

	Enabled By Default.
Enable Basic settings in IVR	<p>If this option is enabled, IVR can modify the IP, gateway, subnet mask, DNS, profile download protocol and firmware download protocol of the phone.</p> <p>If this option is disabled, the IVR refuses to execute the above instructions.</p> <p>Enabled by Default.</p>

Client Certificate

Parameter	Description
Minimum TLS Version	Configures the minimum TLS version supported by the phone. Minimum TLS version must be less than or equal to maximum TLS version.
Maximum TLS Version	Configures the maximum TLS version supported by the phone. Maximum TLS version must be greater than or equal to minimum TLS version.
Enable/Disable Weak Cipher Suites	Defines the function for weak cipher suites. If set "Enable Weak TLS Cipher Suites", allow users to encrypt data by weak TLS cipher suites.
SIP TLS Certificate	The Cert File for the phone to connect to SIP Server via TLS.
SIP TLS Private Key	The Cert Key for the phone to connect to SIP Server via TLS.
SIP TLS Private Key Password	SSL Private key password used for SIP Transport in TLS/TCP.
Custom Certificate	The uploaded custom certificate will be used for SSL/TLS communication instead of the phone default certificate.

Trusted CA Certificate

Load CA Certificates	Phone will verify the server certificate based on the built-in, custom or both trusted certificates list.
-----------------------------	-----------------------------------------------------------------------------------------------------------

Preferences

Display Control

New Message LED Indicator	Configure the behaviour of the LED indicator when there is a new voice mail on the phone. If it is set to "off", the LED will not change in any state when there is a message.
----------------------------------	--------------------------------------------------------------------------------------------------------------------------------------------------------------------------------

Audio Control

Parameter	Description
Speaker Ring Volume	Configures speaker ring volume, the valid range is 1 to 8.
Handset Sidetone Volume	Configures handset sidetone volume. The valid range is 0 to 30.
Lock Speaker Volume	Lock volume adjustment when the option is enabled.
Enable Warning Tone	Configures whether to enable the warning tone of the phone. If disabled, the network disconnection and voicemail will not generate any tone.

Handset TX Gain (dB)	Configures the transmission gain of the handset.
Enable HAC	If enabled, the phone will be compatible with nearby hearing aids.
Enable Bootup Tone	If enabled, the phone will emit a sound effect when it boots up.

LED

LED Brightness: Active	Configures the LED brightness when the phone is active. Valid range is 0 to 10 where 0 is off and 10 is the brightest.
LED Brightness: Idle	Configures the LED brightness when the phone is idle. Valid range is 0 to 10 where 0 is off and 10 is the brightest.

TR-069

A TR-069 client is a software application that allows service providers and equipment manufacturers to manage, configure, and update their customers' network-connected devices remotely.

Parameter	Description
Enable TR-069	Enable or disable TR-069
ACS URL	URL of the TR-069 Auto Configuration Servers (e.g., http://acs.mycompany.com , or IP address).
TR-069 Username	ACS username for TR-069.
TR-069 Password	ACS password for TR-069.
Periodic Inform Enable	Enables periodic inform. If set to "Yes", device will send inform packets to TR-069 Auto Configuration Server.
Periodic Inform Interval	Configures periodic inform interval to send the inform packets to TR-069 Auto Configuration Server.
Connection Request Username	The username for the TR-069 Auto Configuration Server to connect the phone.
Connection Request Password	The password for the TR-069 Auto Configuration Sever to connect to the phone.
Connection Request Port	The port for the TR-069 Auto Configuration Server to connect to the phone.
CPE SSL Certificate	The Cert File for the phone to connect to the TR-069 Auto Configuration Sever via SSL.
CPE SSL Private Key	The Cert Key for the phone to connect to the TR-069 Auto Configuration Sever via SSL.
Start TR-069 at Random Time	If enabled, TR-069 will send out the first INFORM message to the server on randomized timing between 1 to 3600 seconds after the phone boots up.

Maintenance

Upgrade and Provisioning

Firmware

Parameter	Description
Upgrade via Manual Upload	
Upload Firmware File to Update	Configures to upload and upgrade firmware.
Upgrade via Network	
Firmware Upgrade via	Configures firmware upgrade method as TFTP, FTP, FTPS, HTTP, HTTPS.
Firmware Server Path	Configures the server path for firmware download.
Firmware Server Username	The username for the firmware server.
Firmware Server Password	The password for the firmware server.
Firmware File Prefix	If configured, only the firmware with the matching prefix will be downloaded and flashed into the phone.
Firmware File Postfix	If configured, only the firmware with the matching postfix will be downloaded and flashed into the phone.
Upgrade Detection	
Upgrade	Start the upgrade.

Config File

Parameter	Description
Configure Manually	
Download Device Configuration	Click to download the device configuration file in .txt format.
Download Device Configuration (XML)	Click to download the device configuration file in .XML format.
Download User Configuration	Click to download the user's configuration file.
Upload Device Configuration	Upload configuration file to the phone.
Export Backup Package	Export a backup package which contains device configuration and personal data.
Restore from Backup Package	Restore from the uploaded backup package.
Configure via Network	

Configure Upgrade via	Choose the protocol that will be used for upgrading.
Configure Server Path	Defines the server path for provisioning.
Configure Sever Username	The username for the config server.
Configure Sever Password	The password for the config server.
Always Indicate before Challenge	If enabled, the phone will send credentials before being challenged by the server. This option only applies to HTTP/HTTPS.
Config File Prefix	If configured, only the configuration file with the matching encrypted prefix will be downloaded and flashed into the phone.
Config File Postfix	If configured, only the configuration file with the matching encrypted postfix will be downloaded and flashed into the phone.
Authenticate Conf File	If enabled, the phone will authenticate configuration file before acceptance.
XML Config File Password	Configures the password for encrypting the XML configuration file using OpenSSL. This is required for the phone to decrypt the encrypted XML configuration file.

Provision

Parameter	Description
Auto Upgrade	
Automatic Upgrade	Enables automatic upgrade and provisioning.
Start Upgrading at Random Time	Configures whether the phone will upgrade automatically at a random time within the configured time interval.
Firmware Upgrade and Provisioning	Specifies how firmware upgrading and provisioning request to be sent.
DHCP Option	
Allow DHCP Option 43 and Option 66 to Override Server	If set to "Yes" on the LAN side, the phone will reset the CPE, upgrade, network VLAN tag and priority configuration according to option 43 sent by the server. At the same time, the upgrade mode and server path of the configuration mode will be reset according to option 66 sent by the server. If set to "prefer, fallback when failed", the phone can fallback to use the configured provisioning server under its Firmware and Config server path in case the server from DHCP Option fails.
Allow DHCP Option 120 to Override SIP Server	Specifies the name of the client. This field is optional but may be required by Internet Service Provider.
Additional Override DHCP Option	Configures additional DHCP Option to be used for firmware server instead of the configured firmware server or the server from DHCP Option 33 and 66. This option will be effective only when "Allow DHCP Option 43 and Option 66 to Override Server" is enabled.
Config Provision	
Download and Process All Available Config Files	By default, the device will follow cfgMAC.xml, cfgMAC, cfgMODEL.xml, cfg.xml, devMAC.cfg sequence searches for the first available configuration file and updates the configuration file, and the subsequent configuration files will be ignored.If this configuration item is enabled, the device will

	follow cfg.xml, cfgMODEL.xml, cfgMAC, cfgMAC.xml, devMAC.cfg downloads configuration files one by one and loads updates. If the same configuration items exist between files, the configuration items that are later in the download order will overwrite the previous contents.
User Protection	When user protection is on, P-values that the user sets will not be changed by provision or provider.
3CX Auto Provision	If enabled, the phone will send SUBSCRIBE requests to the multicast address in LAN during bootup for the automatic provisioning. This feature requires 3CX server support.

Advanced Settings

Parameter	Description
Validate Hostname in Certificate	Configures tp validate the hostname in the SSL certificate.
Enable SIP NOTIFY Authentication	Device will challenge NOTIFY with 401 when set to "Yes".
Factory Reset	Initiate factory reset. All the configuration on the device will be erased.

System Diagnostics

Syslog

Syslog is a protocol that computer systems use to send event data logs to a central location for storage. Logs can then be accessed by analysis and reporting software to perform audits, monitoring, troubleshooting, and other essential IT operational tasks

Parameter	Description
Syslog Protocol	Allows sending syslog through secured TLS protocol to the syslog server. Note: CA verification is required.
Syslog Server	The URL/IP address for the syslog server.
Syslog Level	Selects the level logging of syslog.
Syslog Keyword Filter	Syslog will be filtered based on the configured keywords. Multiple keywords can be separated by ",".
Send SIP Log	Configures whether the SIP log will be included in the syslog messages.

Notification Events

Action URL

The following section describes how we can use the settings present in the GHP to configure customizable notifications

Parameter	Description
Phone Status	
Setup Completed	Configures the Action URL to send when phone finishes setup process.

Registered	Configures the Action URL to send when phone successfully registers as a SIP account.
Unregistered	Configures the Action URL to send when phone unregisters a SIP account.
Register Failed	Configures the Action URL to send when phone fails to register a SIP account.
Idle to Busy	Configures the Action URL to send when the phone's state changes form idle to busy.
Busy to Idle	Configures the Action URL to send when phone's state changes from busy to idle.
Auto Provision Completed	Configures the Action URL to send when phone's auto provision process is completed.
IP Change	Configures the Action URL to send when the IP address changes.
Call Operation	
Off-hook	Configures the Action URL to send when phone is in off-hook state.
On-hook	Configures the Action URL to send when the phone is on-hook state.
Incoming Call	Configures the Action URL to send when the phone receives an incoming call.
Outgoing Call	Configures the Action URL to send when phone places a call.
Missed Call	Configures the Action URL to send when phone has a missed call.
Established a Call	Configures the Action URL to send when phone establishes a call.
Terminated Call	Configures the Action URL to send when the phone terminates a call.
Answered Call	Configures the Action URL to send when phone answers an incoming call.
Blind Transfer	Configures the Action URL to send when the phone performs blind transfer.
Attended Transfer	Configures the Action URL to send when the phone performs attended transfer.
Transfer Completed	Configures the Action URL to send when the phone successfully transfers a call.
Transfer Failed	Configures the Action URL to send when the phone fails to transfer a call.
Hold Call	Configures the Action URL to send when the phone places a call on hold.
Unhold Call	Configures the Action URL to send when the phone resumes the call on hold.
Mute Call	Configures the Action URL when the phone mutes a call.
Unmute Call	Configures the Action URL when the phone unmutes a call.

Application

Hotel Service

This section contains the basic settings of Hotel Service Management, including the basic general information of the hotel where the GHP hotel phone is deployed and also the assigned room number.

Parameter	Description
Hotel Name	Configures the hotel name.
Hotel Address	Configures the hotel address.
Hotel Phone Number	Configures the hotel phone number.
Hotel Fax Number	Configures the hotel fax number.
Hotel Room Number	Configures the hotel's room number.

E911 Service

E911 (Enhanced 911) service allows configuring of the GHP6xx to allow emergency calls to be made while providing the location of of the user to be known to the call receiver.

Parameter	Description
Enable E911	Enable or disable E911.
HELD Protocol	Configures HELD transfer protocol.
HELD Synchronization Interval	The valid synchronization interval is between 30 to 1440 minutes. The synchronization is off when interval is 0.
Location Server	Configures the primary Location Information Server (LIS) addresss.
Location Server Username	Configures the username of the primary Location Information Server (LIS).
Location Sever Password	Configures the password of the primary Location Information Server (LIS).
Secondary Location Server	Configures the secondary Location Information Server.
Secondary Location Server Username	Configure the username of the secondary Local Information Server.
Secondary Location Server Password	Configure the password of the secondary Location Information Server.
HELD Location Types	Configure "locationType" element in the location request.
HELD Use LLDP Information	If set to "Yes", the information from LLDP-support switch is used to generate ChassisID and portID; otherwise
HELD NAI	If set to "Yes", Network Access Identifier (NAI) is included as a device identity in the location request sent to the Location Information
E911 Emergency Numbers	A user can configure multiple emergency numbers separated with the delimiter symbol ";".

Geolocation-Routing Header	If set to "Yes", E.911 INVITE message includes the "Geolocation-Routing" header with the value "Yes".
Priority Header	If set to "Yes", E.911 INVITE messages includes the "Priority" header with the value "emergency".

Web Service

This section is utilized to enable the location services on the phone.

Parameter	Description
Use Auto Location Service	Configures to enable or disable auto location services on the phone.

GDS

GHP6XX can be paired with Grandstream's facility access management system GDS to allow two-way communication, opendoor from the GHP6xx, and define a specific ringtone to be played when GDS doorbell rings and initiate a call to GHP6XX.

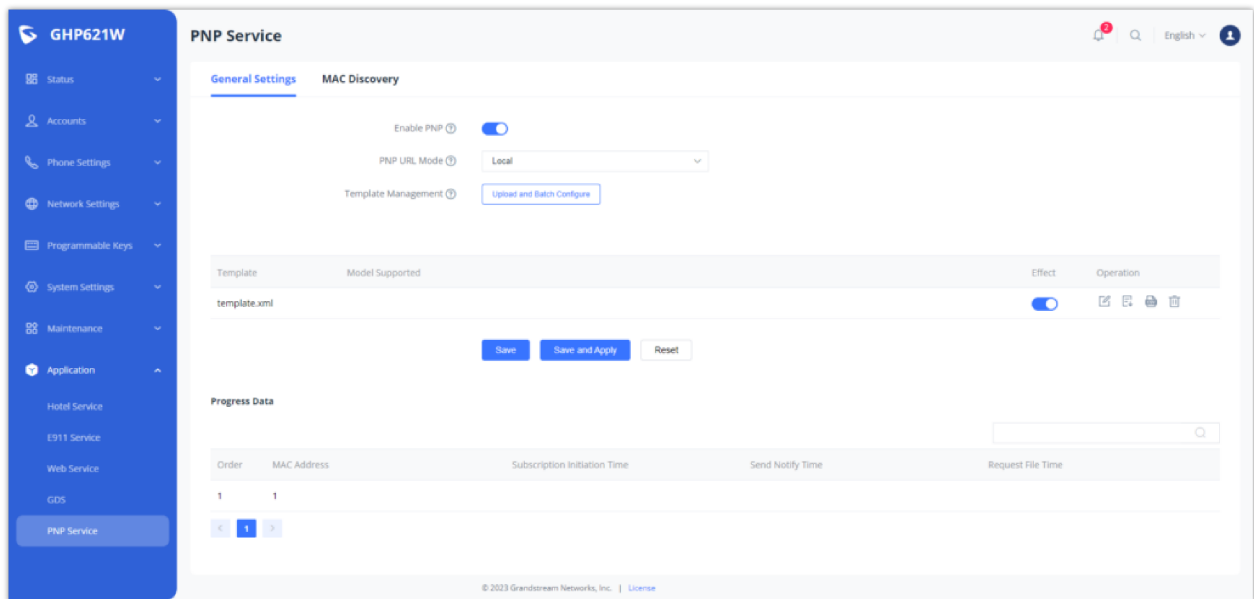
Order	Service Type	Account	System Identification	System Number	Access Password	System Ringtone
1	GDS	Account 2				Doorbell
2	GDS	Account 1				Ring 1
3	Others	Account 1				Doorbell
4	Others	Account 1				Doorbell
5	Others	Account 1				Doorbell
6	Others	Account 1				Doorbell
7	Others	Account 1				Doorbell
8	Others	Account 1				Doorbell
9	Others	Account 1				Doorbell
10	Others	Account 1				Doorbell

GDS

GDS	<p>Connect to a GDS37XX and send OpenDoor request.</p> <ul style="list-style-type: none"> ● Service Type: Select GDS as service type ● Account: The account to be used on the phone to interact with the GDS37XX ● System Identification: A name or a number to identify the GDS37XX ● System Number: The SIP extension or the IP address of the GDS37XX depending on the deployed scenario, Peering or Registration ● Access Password: The password set on the GDS37XX to unlock the door. ● System Ringtone: Select the system ringtone from the dropdown list to be played when there is an incoming call from the configured system number of the GDS37xx <p>Notes:</p> <ul style="list-style-type: none"> ● When using Peering scenario, on "System Number" field of the GHP6XX specify the IP address of the peered GDS37XX. ● When using Registration scenario and both GHP6XX and GDS37XX are registered on the same SIP server, specify the SIP extension of the GDS37XX on "System Number" field on GHP6XX. <p>The "Access Password" on GHP6XX should be matching "Remote PIN to Open the door" on GDS37XX.</p>
------------	----------------------------------------------------------------------------------------------------------------------------------------------------------------------------------------------------------------------------------------------------------------------------------------------------------------------------------------------------------------------------------------------------------------------------------------------------------------------------------------------------------------------------------------------------------------------------------------------------------------------------------------------------------------------------------------------------------------------------------------------------------------------------------------------------------------------------------------------------------------------------------------------------------------------------------------------------------------------------------------------------------------------------------------------------------------------------------------------------------------------------------------------------------------------------------------------------------------------------------------------------------------

PNP Service

Plug and Play (PnP) Service is a feature available on the GHP6xx that allows it to be set as a server terminal for provisioning other IP phones remotely, on the GHP6xx PNP centralized platform, either by setting the configuration locally by uploading local configuration files, or by obtaining the configuration files from a third party HTTP server.



General Settings	
Enable PNP	Configures whether to enable the PNP function. After enabling it, the automatic configuration is supported, and up to 100 devices can be configured. Disabled by Default.
PNP URL Mode	Select the PNP URL mode, including local and custom, custom does not support filling in the local machine-related address.
PNP URL	The configuration terminal can take the server address of the configuration file. The server address can be the IP address of the terminal that provides PNP services. It cannot be configured as a locally related parameter.
Template Management	Profile templates can be managed in this module. The current model only supports the management of one profile template. It supports the generation of batch configuration CSV files based on the profile template. You can fill in the relevant parameter values in this file, and start the PNP batch configuration process after the application.
Upload Profile Template	Users can upload a .xml template file downloaded by respecting the following guidelines: <ul style="list-style-type: none"> • Users can upload the configuration file template here and add parameters to define parameter names. Parameter values are different configuration item values of different devices. • To specify a device for configuration, add the %%mac_address%% parameter to the filename in the template file. The parameter can be configured in batches in Step 2 (Batch Configure CSV). • If the same parameters need to be configured for all devices, delete %%mac_address%% from filename in the template file and assign values to each parameter. • Please write configuration file template according to sample file format specification. Any text file format can be placed in <data><![CDATA[---]]></data>.
Batch Configure CSV	Users can upload a .csv template file download while respecting the following guidelines:

	<ul style="list-style-type: none"> • If there are batch configuration variables in the configuration file template, generate the batch configuration CSV file according to the uploaded configuration file template, and fill in the relevant batch configuration values after exporting the CSV template. • After writing the batch configuration CSV template, upload the CSV template file here.
Effects View	Displays the data inserted from the .csv template to the .xml configuration file.
Progress Data	When connected to a network, the phone can automatically identify and configure itself with the appropriate settings for that network. This eliminates the need for manual configuration, making it faster and easier to set up and manage IP phone deployments. the connected networks will be displayed in the list.
MAC Discovery	<p>During the plug-and-play process, the network infrastructure uses the MAC Discovery feature to detect the IP phone's MAC address and automatically configure it with the appropriate settings, such as IP address, subnet mask, default gateway, and other network-related parameters. This eliminates the need for manual configuration and speeds up the deployment of IP phones in large-scale environments.</p> <p>A list of MAC Addresses with their respective IP address, Product models, and operations is displayed, and the actions that can be performed on those IP phones are the following :</p> <ul style="list-style-type: none"> • Download the Configuration file: this option will download the configuration file of the discovered device • Redistribution operation: When a new IP phone is added to the network, the PNP service detects the device and automatically retrieves its configuration information from a central configuration server. The PNP service then redistributes this information to all other IP phones in the network, ensuring that all devices are configured in a consistent and efficient manner.

Account Sharing

This section is utilized to enable the account sharing feature.

Basic Settings	
Enable Account Sharing	Select whether to enable Account Sharing.
Role in Account Sharing	Select the role that the current device will play in the network, the guest device role does not need to register an account on IP PBX, and can make calls in and out of the network through the account set by the host device role.
Group Name	Set the group name, in the host-guest mode, devices with the same group name can discover each other. Note: This item is mandatory if using Account Sharing. The verification format is domain type
Group Password	In the host-guest mode, after setting the group password, the guest device with the same group password as the host device can successfully register an account on the host device. Note: This item is mandatory if using Account Sharing.
Account Settings	
Account	For the host device role, this setting determines which host device account will be used as the guest device outgoing and incoming account for calls outside the Account Sharing. For the guest device role, this setting determines which account the guest device will use to register on the host device.
Account Name	This setting specifies the account name corresponding to the account used by the guest device.

Sync Ringing In Group	Set whether to enable synchronization of all successfully registered guest device ringtones within the group.
Discovered Host Device list	Shows registered devices on the local network for monitoring, it displays the following information about the discovered devices: <ul style="list-style-type: none"> • IP Address • MAC Address • Registration Status • Operation

UPGRADING AND PROVISIONING

Unified Firmware

The GHP610, GHP610W, GHP611, GHP611W, GHP620, GHP621, GHP620W, and GHP621W support unified firmware.

Firmware Upgrade

The GHP6XX/W series can be upgraded via TFTP / FTP / FTPS / HTTP / HTTPS by configuring the URL/IP Address for the TFTP / HTTP / HTTPS / FTP / FTPS server and selecting a download method. Configure a valid URL for TFTP, FTP/FTPS, or HTTP/HTTPS, the server name can be FQDN or IP address.

Examples of valid URLs:

firmware.grandstream.com/BETA

fw.mycompany.com

Upgrade via Web GUI

Open a web browser on a PC and enter the IP address of the phone. Then, log in with the administrator username and password. Go to Maintenance→Upgrade and Provisioning page, enter the IP address or the FQDN for the upgrade server in the "Firmware Server Path" field and choose to upgrade via TFTP or HTTP/HTTPS, or FTP/FTPS. Update the change by clicking the "Save and apply" button. Then "Reboot" or power cycle the phone to update the new firmware.

When upgrading starts, the screen will show upgrading progress. When done you will see the phone restart again. Please do not interrupt or power cycle the phone during the upgrading process.

Firmware upgrading takes around 60 seconds in a controlled LAN or 5-10 minutes over the Internet. We recommend completing firmware upgrades in a controlled LAN environment whenever possible.

No Local TFTP/FTP/HTTP Servers

For users that would like to use remote upgrading without a local TFTP/FTP/HTTP server, Grandstream offers a NAT-friendly HTTP server. This lets users download the latest software upgrades for their phones via this server. Please refer to the webpage:

<http://www.grandstream.com/support/firmware>

Alternatively, users can download a free TFTP, FTP, or HTTP server and conduct a local firmware upgrade. A free window version TFTP server is available for download from:

http://www.solarwinds.com/products/freetools/free_tftp_server.aspx

<http://tftpd32.jounin.net/>.

Instructions for local firmware upgrade via TFTP:

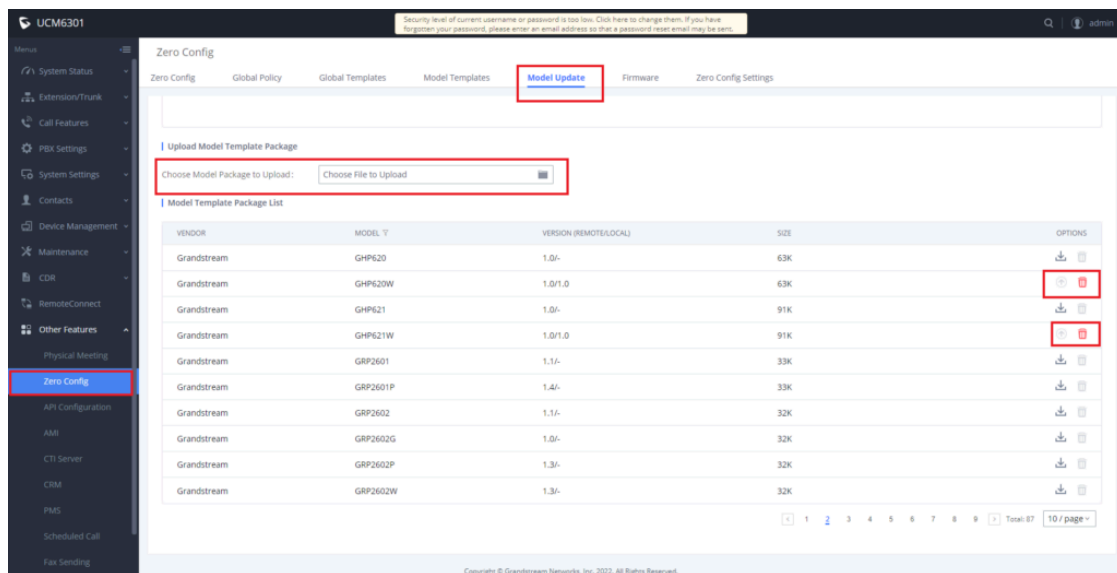
1. Unzip the firmware files and put all of them in the root directory of the TFTP server.
2. Connect the PC running the TFTP server and the phone to the same LAN segment.
3. Launch the TFTP server and go to the File menu→Configure→Security to change the TFTP server's default setting from "Receive Only" to "Transmit Only" for the firmware upgrade.
4. Start the TFTP server and configure the TFTP server in the phone's web configuration interface.
5. Configure the Firmware Server Path to the IP address of the PC.
6. Update the changes and reboot the phone.

End users can also choose to download a free HTTP server from <http://httpd.apache.org/> or use the Microsoft IIS web server.

ZERO CONFIG NUMBER SELECTION PROCESS

The Grandstream Zero config tool allows you to automatically provision a range of Grandstream devices without having to configure each UC endpoint manually, this can be helpful in situations that require the mass deployment of UC endpoints, this method will make the provisioning process efficient and optimized, in our GHP6XX/W IP hotel phone series, the zero config is used to configure extension selection from a specifically defined range, the process of how to do it is as mentioned below :

1. The administrator needs to log in to the UCM-Web server (SIP server IP address).
2. Select menu "Other Services" – "Zero Configuration" – "Model Update".



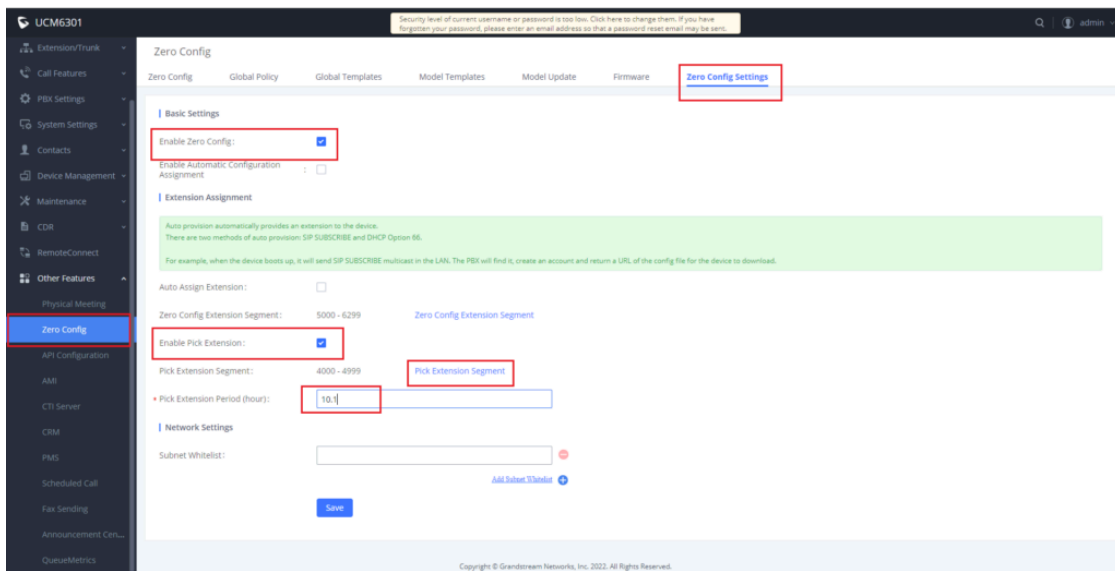
Zero Config – Model Update

- o Select a phone model and click the Download and Install button on the right of the list to download the model configuration file to the UCM.

Note

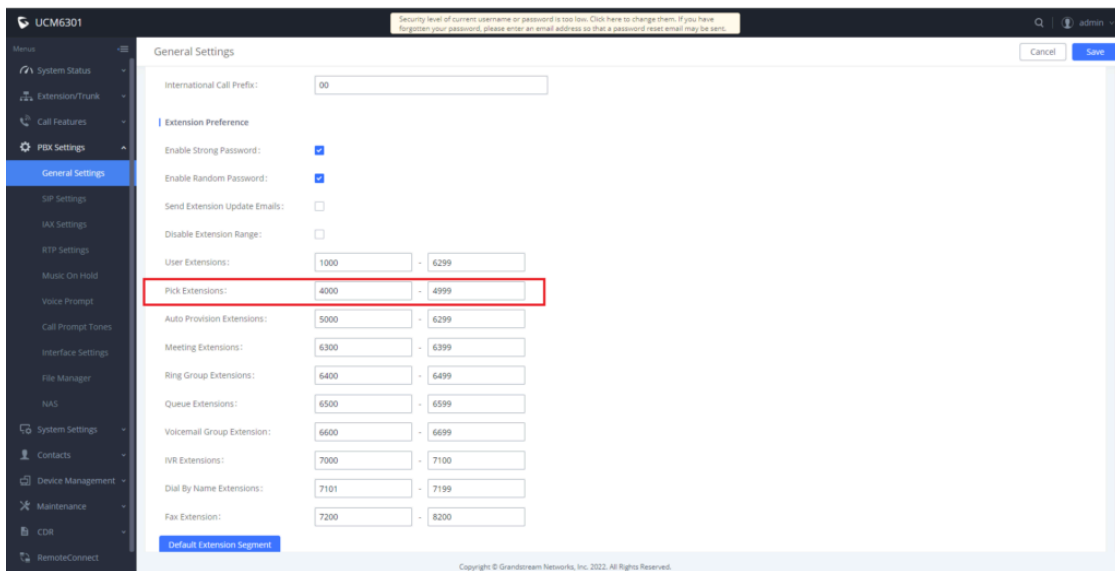
If the corresponding model cannot be downloaded and installed to the UCM local PC due to network reasons, you can upload the file of the UCM zero-configuration template (.pack file) and click the Download and Install button.

- o Select the menu "Other Services" – "Zero Configuration" – "Zero Configuration Settings", Select "Enable Zero Config" (enabled by default) and "Enable Pick Extension", and click "Pick Extension Segment" to set the optional number segment.



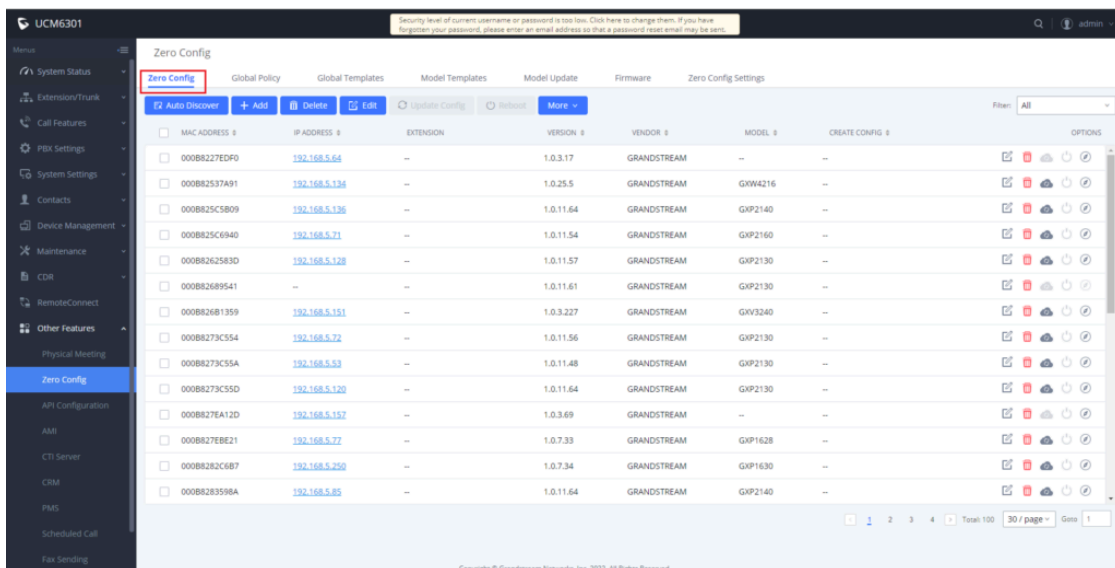
Zero Configuration settings

- o Click "Pick Extension Segment" to switch to the menu "PBX Settings" – "General Settings", and enter the corresponding number segment value. Make sure to click save afterward to save the changes.



Picking Extension Segments

- o The UCM6301 automatically discovers and manages device addresses on the same network segment. At the same time, UCM supports manual input of device IP to discover devices.



Zero Config main page

- o Phone users can dial service code ****766*** + room number to set the room number, and dial service code ****766#** to hear the room number announcement. When the hotel room number is already in use, phone users should dial service code ****766*** + keypad password + room number + **#** to reset the room number.
- o Phone users can dial ****82#** to enable the UCM zero-configuration number selection process. The UCM sends the room number as the selection number. After receiving the request, the UCM delivers the configuration and sets the room number as the preferred account to complete the selection process.

Important considerations

1. The extension number cannot be selected when the account number in UCM exceeds the upper limit, and the upper limit of the extension number must be specified.
2. The extension number selection function is not enabled or cannot be selected after the pick extension number selection period has expired.
3. The UCM must contain the template of the target phone and the configuration related to the account in the template.
4. In zero configuration, the total of the selected numbers of extension numbers can be repeatedly selected by multiple phones on the premises, however, it should not exceed the maximum number of registered accounts (concurrent number).

More on Zero Config

Please refer to the following link for more details on how to use the Zero Config on Grandstream UCMs : <https://documentation.grandstream.com/knowledge-base/ucm630x-series-user-manual/#provisioning>

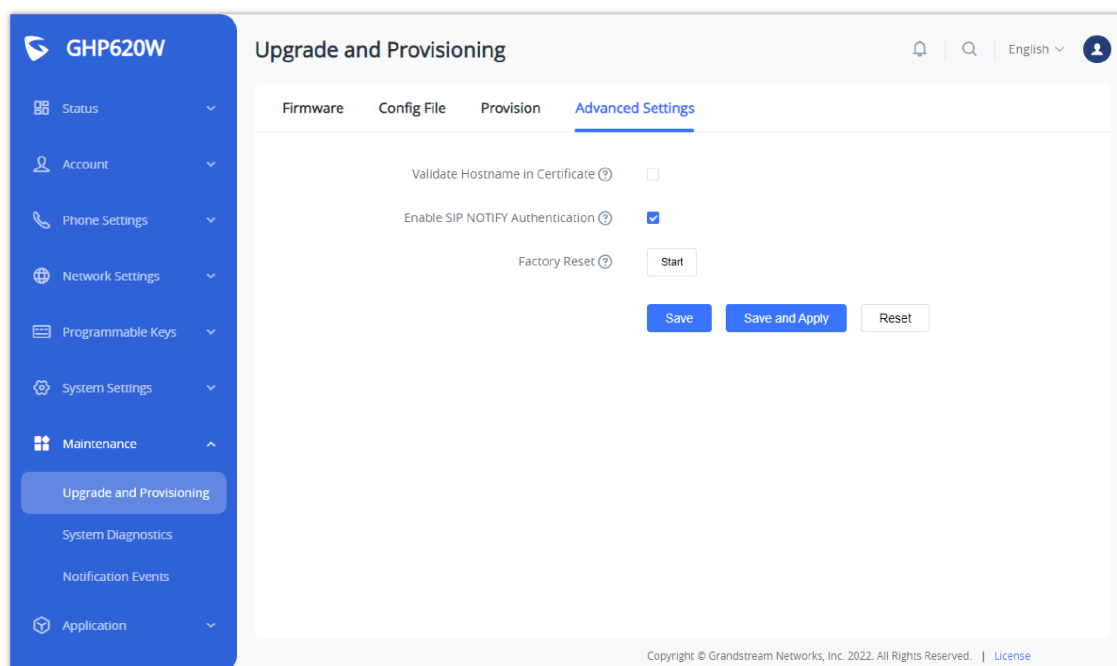
RESTORE FACTORY DEFAULT SETTINGS

Restore to Factory Default via Keypad

To restore the GHP6XX phone using the keypad, enter the code ****37***{keypad password}**#**. The default keypad password is: **123**

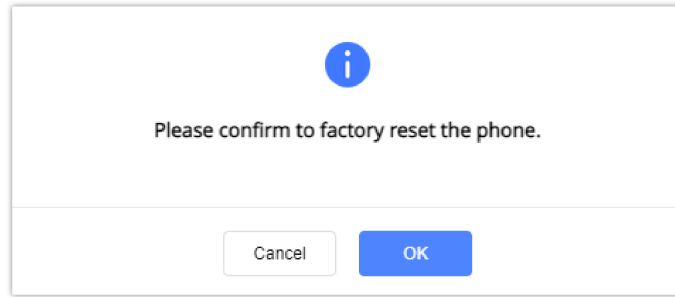
Restore to Factory Default via Web GUI

To reset the GHP6XX to its factory settings using the web GUI, please navigate to **Upgrade and Provisioning** → **Advanced Settings** then click on the **Start** button to start the factory reset process.



Factory Reset via Web GUI

The factory reset will immediately start after you click **OK**.



Factory Reset Confirmation

Warning

Once the process of resetting to factory settings has started, it cannot be cancelled and all the configuration will be lost. To avoid losing your configuration, please back it up first.

HANDLING METHOD FOR PHONE FAILURE STARTUP

State definition of the phone startup phase

Phone startup includes the following four stages.

1. The U-boot is started successfully, and MWI LED and MUTE LED are always red.
2. Linux system starts successfully, MUTE LED is off, and MWI LED is yellow constant.
3. The upper application is successfully started, MUTE LED and MWI LED are off, and the status of the follow-up lights is controlled by the behavior of the phone itself.
4. Play startup music after a successful startup.

Introduction to the phone recovery process

1. The phone cannot be powered off during the upgrade process. If the upgrade fails due to power failure due to force majeure or other reasons, the partition file of the phone will fail to read and write, and the phone cannot be started. Therefore, a Recovery mechanism is provided to restore your phone to the maximum extent.

2. User needs to set up a TFTP server, set the address to 192.168.0.2, and store two files under the server address, ghp610recovery.bin, and ghp610fw.bin. Please download these two files from the link [HERE](#).

3. During the startup phase of U-boot, some recoverable partition files will be verified. If the verification of partition files fails, the MWI LED will flash yellow for 3 seconds to enter the recovery process.

4. At this time, the device IP will be automatically set to 192.168.0.3, and a TFTP request will be sent to the fixed server 192.168.0.2, requesting the file ghp610recovery.bin.

- If there is no server, it will still request, and the yellow light stays always on.

- If the request fails, the yellow light is off, the MWI LED red light flashes for 3 seconds, and the Linux system is blocked and cannot be recovered.

- If the request is successful and the loading operation continues, the yellow light goes out, the MWI LED green light flashes for 3 seconds and the temporary Linux system starts to boot.

5. When the temporary Linux system starts up, the MWI light is always yellow. The system sets the IP address as fixed 192.168.0.3, and sends a TFTP request to the fixed server 192.168.0.2, requesting the file ghp610fw.bin for upgrading. The upgrade process takes about 5 minutes, during which the MWI LED flashes red.

6. After the upgrade is completed, the device automatically restarts and returns to normal. If the upgrade fails, the MWI LED will stay red.

CHANGELOG

Firmware 1.0.1.67

- No major changes

Firmware 1.0.1.64

- No major changes

Firmware 1.0.1.62

- No major changes

Firmware 1.0.1.61

- No major changes

Firmware 1.0.1.60

- No major changes.

Firmware 1.0.1.54

- Added Warning prompt if IPv4 set does not comply with the rules. [[IPv4 Address](#)]
- Added Support to display Serial Number in Web UI system info page. [[Serial Number](#)]

Firmware 1.0.1.49

- Added Support of Account Sharing. [[Account Sharing](#)]
- Added Support to enable IVR. [[Enable IVR](#)]

Firmware 1.0.1.37

- Added Support of Redial Expiration. [[REDIAL EXPIRATION](#)]
- Added Support of PNP Service. [[PNP SERVICE](#)]
- Added Support of keeping alive to NAT Traversal [[NAT TRAVERSAL](#)]
- Added Support for local call features. [[LOCAL CALL FEATURES](#)]

Firmware 1.0.1.33

- Added Support of "Enable Basic Settings in IVR" configuration [[ENABLE BASIC SETTINGS IN IVR](#)]
- Added Support for NAT Traversal. [[NAT TRAVERSAL](#)]
- Added Support for STUN server. [[STUN SERVER](#)]

Firmware 1.0.1.29

- This is the initial release.

COPYRIGHT

©2023 Grandstream Networks, Inc. <https://www.grandstream.com>

All rights reserved. Information in this document is subject to change without notice. Reproduction or transmittal of the entire or any part, in any form or by any means, electronic or print, for any purpose without the express written permission of Grandstream Networks, Inc. is not permitted.

Grandstream is a registered trademark and the Grandstream logo is the trademark of Grandstream Networks, Inc. in the United States, Europe, and other countries.

CAUTION

Changes or modifications to this product not expressly approved by Grandstream, or operation of this product in any way other than as detailed by this guide could void your manufacturer warranty.

WARNING

Please do not use a different power adaptor with devices as it may cause damage to the products and void the manufacturer's warranty.

CERTIFICATION

If any trouble is experienced with this equipment, please contact (Agent in the US):

Company Name: Grandstream Networks, Inc.

Address: 126 Brookline Ave, 3rd Floor Boston, MA 02215, USA

Tel: 1-617-5669300

Fax: 1-617-2491987

If the trouble is causing harm to the telephone network, the telephone company may request you remove the equipment from the network until the problem is resolved.

This equipment uses the following USOC jacks: RJ45C.

It is recommended that the customer install an AC surge arrester in the AC outlet to which this device is connected. This is to avoid damaging the equipment caused by local lightning strikes and other electrical surges.

Since this device has the HAC function, the earpiece is easy to absorb small, please take care to avoid scratching.

Caution: Exposure to Radio Frequency Radiation

This equipment complies with EU radiation exposure limits set forth for an uncontrolled environment. This equipment should be installed and operated with a minimum distance of 20 cm between the radiator and your body.

CE Authentication



BE	BG	CZ	DK	DE	EE	IE	EL	LI
ES	FR	HR	IT	CY	LV	LT	LU	CH
HU	MT	NL	AT	PL	PT	RO	SI	TR
SK	FI	SE	NO	IS	UK	UK(NI)		

In the UK and EU member states, operation of 5150-5350 MHz is restricted to indoor use only.



Hereby, Grandstream Networks, Inc. declares that the radio equipment GHP6XX/W are in compliance with Directive 2014/53/EU.

The full text of the EU declaration of conformity is available at the following internet address:

GNU GPL INFORMATION

GHP6XX firmware contains third-party software licensed under the GNU General Public License (GPL). Grandstream uses software under the specific terms of the GPL. Please see the GNU General Public License (GPL) for the exact terms and conditions of the license.

Grandstream GNU GPL-related source code can be downloaded from the Grandstream website:

<https://www.grandstream.com/legal/open-source-software>
