

# Water-proof Junction Box

Model: VSBKTA123-2

## Technical Specifications

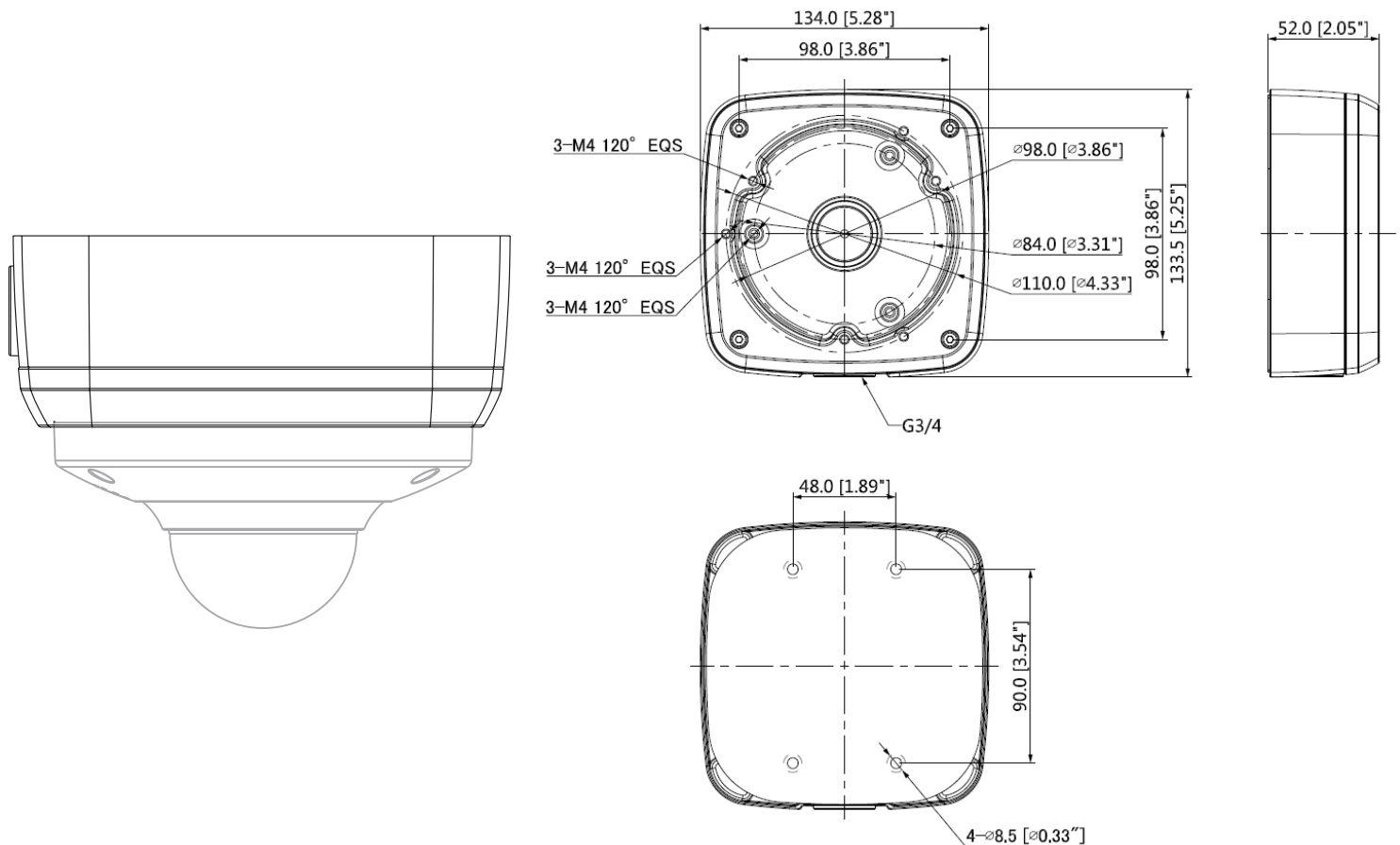
Aluminum adapter/junction box used as a spacer or as connector for corner & pole mounts.

Model	VSBKTA123-2
Materials	Aluminium
Load Bearing Capacity	3.00kg
Operating Conditions	-40° ~ 60°C / 90% RH (max)
Weather Resistance	IP66 rated
Dimensions	134 x 133.5 x 52mm
Weight	0.54kg



Product specifications and bracket compatibility are subject to change.

## Product Diagrams & Dimensions



Your professional CCTV surveillance dealer: